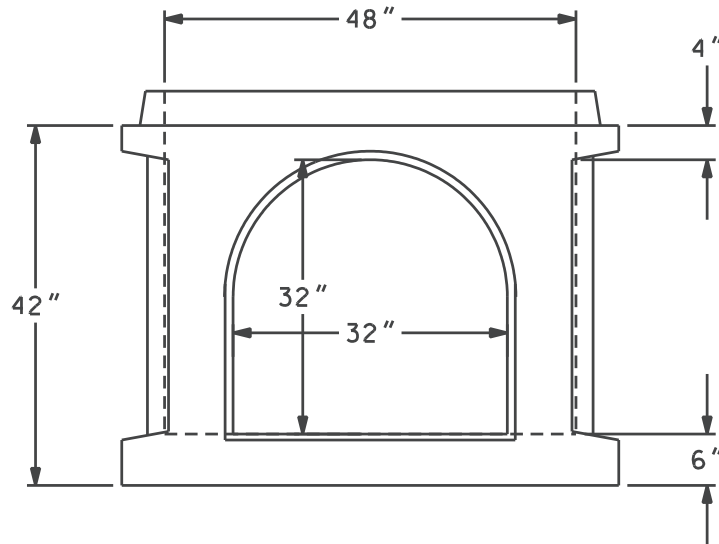


4(X) EQUALLY SPACED
32"W X 32"H



GENERAL NOTES:

1. NO INVERT - LIFTERS IN FLOOR
2. MAX. FILL OVER TOP OF CONCRETE CAP = 2'-0"
3. KNOCK-OUT PANEL SHALL BE COMPLETELY FILLED WITH NON-SHRINK GROUT. GROUT STRENGTH TO BE 4000p.s.i.
4. MAX. PIPE SIZE FOR K-OUT = 24"RCP (B-WALL)



PH• 1-800-737-0707

DWG# PB-322

DATE:01/23/12

SHEET# 1 OF 1

48"Ø X 42" MONO BASE W/ KNOCK-OUTS

SCALE: NTS