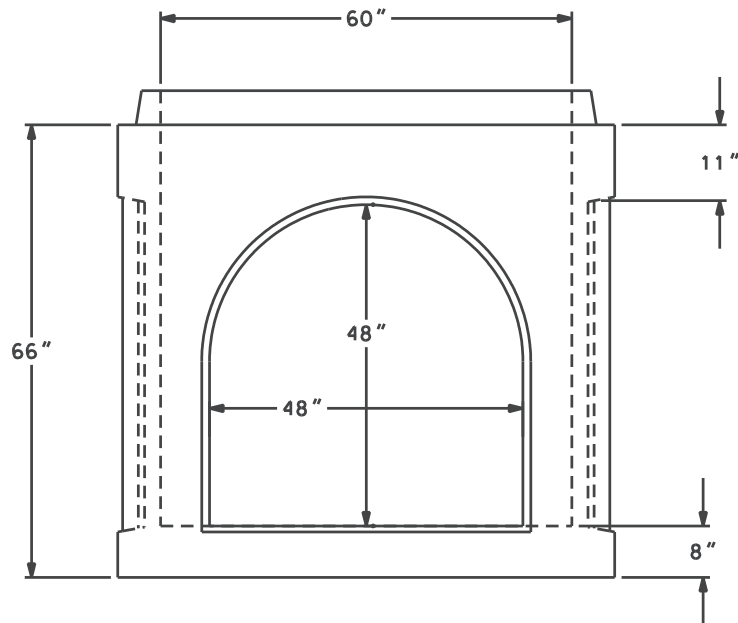


3(X) EQUALLY SPACED  
48"W X 48"H



GENERAL NOTES:

1. NO INVERT - LIFTERS IN FLOOR
2. MAX. FILL OVER TOP OF CONCRETE CAP = 2'-0"
3. KNOCK-OUT PANEL SHALL BE COMPLETELY FILLED WITH NON-SHRINK GROUT. GROUT STRENGTH TO BE 4000p.s.i.
4. MAX. PIPE SIZE FOR K-OUT = 36"RCP (C-WALL)



60"Ø X 66" MONO BASE W/ KNOCK-OUTS

SCALE: NTS

PH\* 1-800-737-0707

DWG# PB-324

DATE:01/23/11

SHEET# 1 OF 1