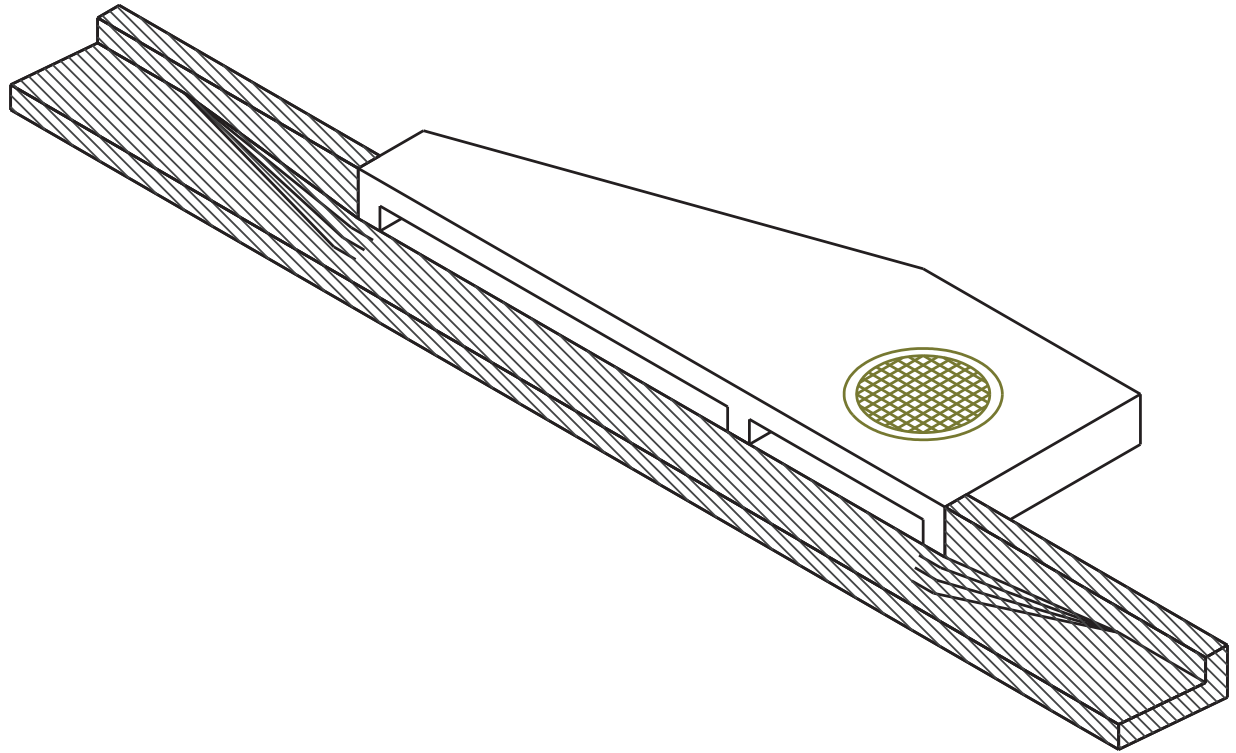


PRECAST SEWER INLET



PRECAST UNIT



POUR IN PLACE BY OTHER

