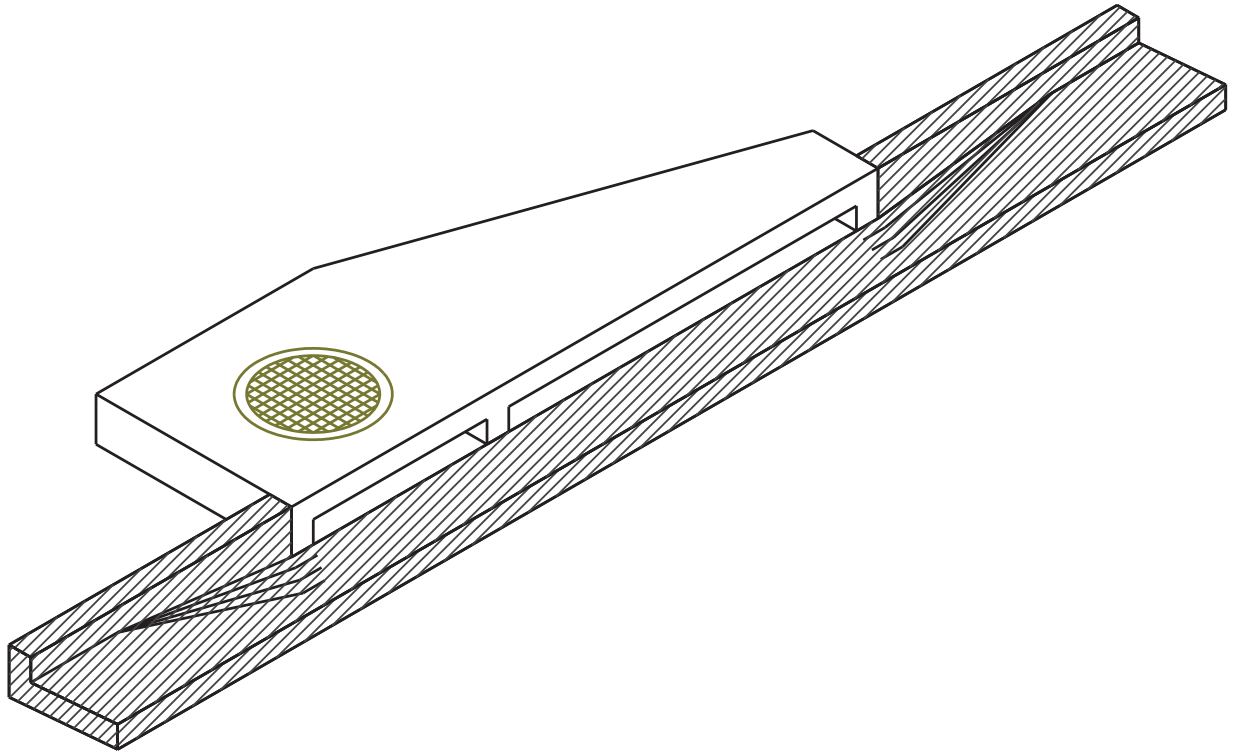


PRECAST SEWER INLET



PRECAST UNIT



POUR IN PLACE BY OTHER



PRECAST SEWER INLET / TYPE S (RIGHT)

SCALE: NTS

PH* 1-800-737-0707

DWG# TCI-604

DATE:09/12/08

SHEET# 1 OF 1