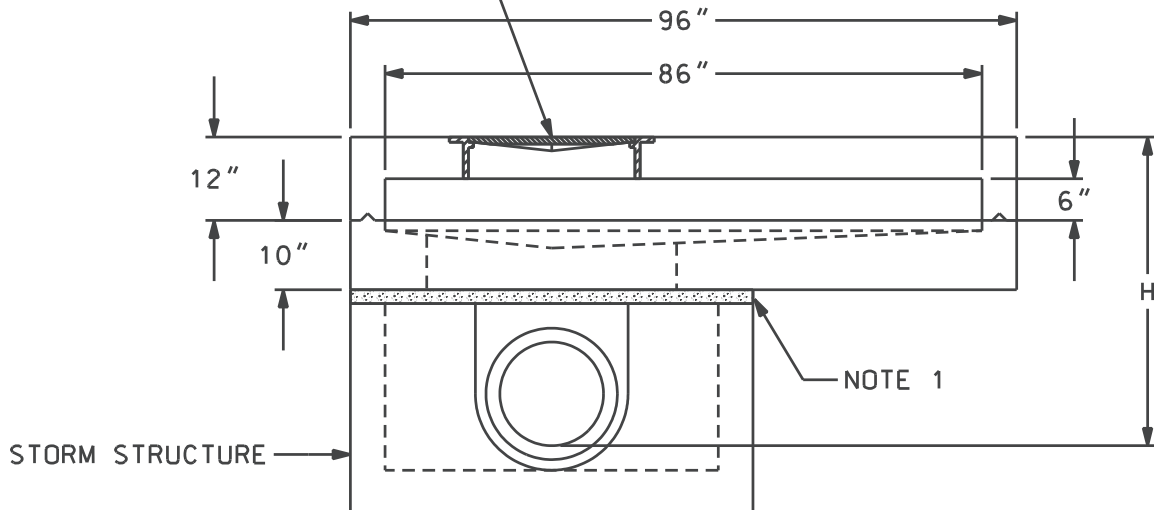


CHAT. LOGO
JBS 1045
CAST-IN



- 1) 4" OF ADJUSTMENT IF ROADWAY SLOPE IS LESS THAN 5 PERCENT
IF ROADWAY SLOPE EXCEEDS 5 PERCENT THEN ADDITIONAL ADJUSTMENT MUST BE USED UP TO A MAXIMUM OF 8"



PH* 1-800-737-0707

DWG# TCI-625

DATE: 09/12/08

SHEET# 1 OF 1

STORM SEWER THROATED INLET (RIGHT)

SCALE: NTS