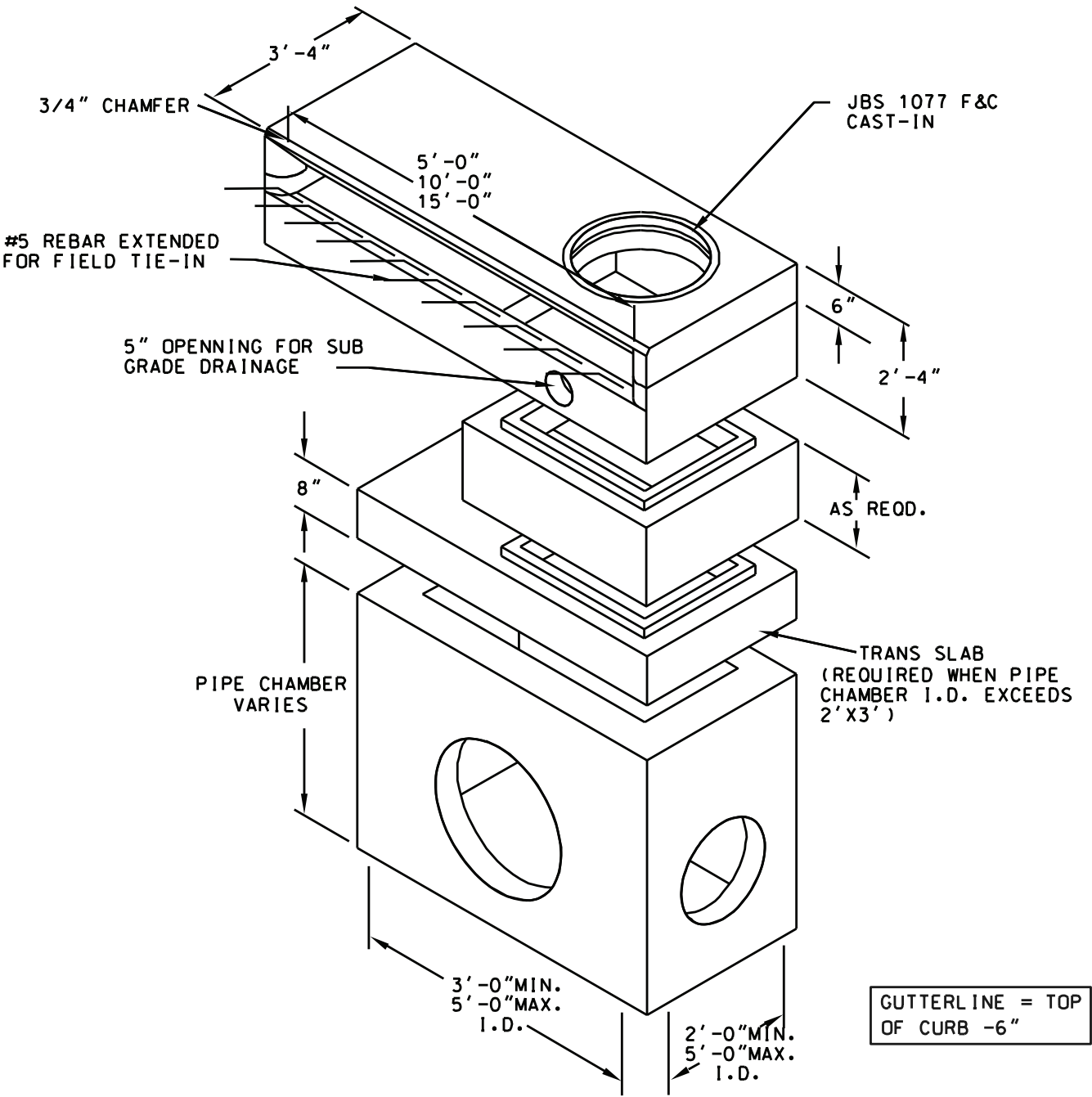


* 25' RADIUS TOP SLABS AVAILABLE FOR 10' THROAT SIZE.



GENERAL NOTES:

- 1. Steel reinf. & concrete strength per ASTM C913
- 2. Hole size * pipe O.D. +3"
- 3. 8" walls
- 4. Base slab (8") thick may be increased to accept larger pipe
- 5. Conforms to KDOH std. drawing No. RDB-270-08, RDB-271-04, RDB-272-06, & RDB-273-05

WEIGHTS FOR TOP PHASES		
5'	TOP= 1.895	BOT.= 2.670
10'	TOP= 3.330	BOT.= 5.270
15'	TOP= 5.685	BOT.= 9.230

PH* 1-800-737-0707 **DWG# TCI-645**

DATE:09/12/08 **SHEET# 1 OF 1**