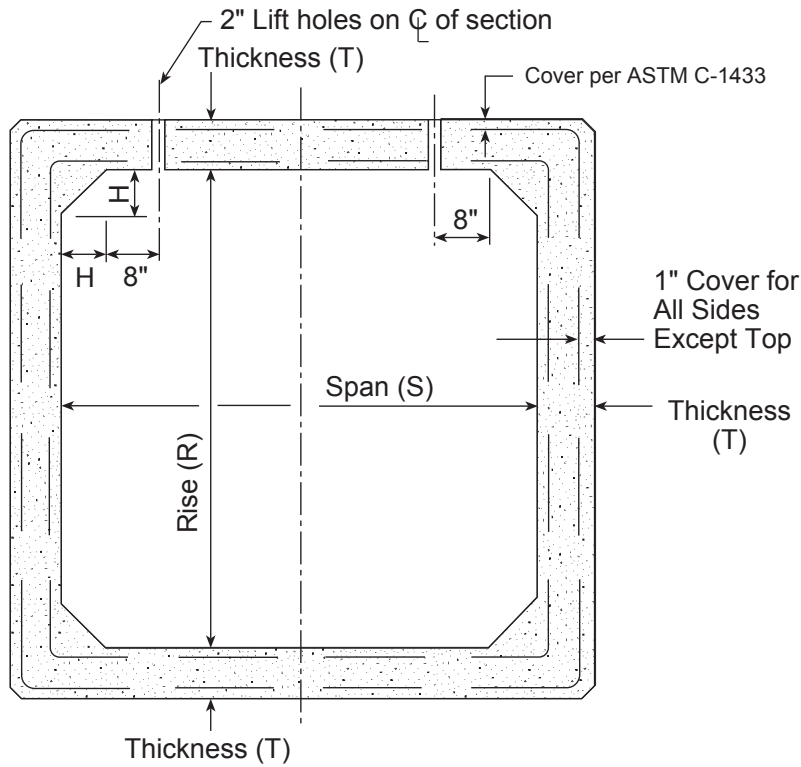
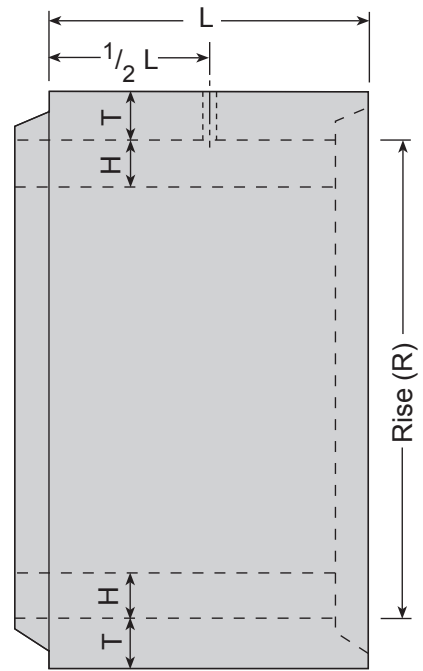


Precast Box Culverts



Section



Side View

Basic Dimensions						
Span	Rise	Wall Thick.	Sect. Length	Weight per ft.	Haunch	Box Opening
S (ft.)	R (ft.)	T (in.)	L (ft.)	(lbs./ft.)	H (in.)	(ft ²)
6	3	7	6	1,870	12	16.0
6	4	7	6	2,050	12	22.0
6	5	7	6	2,225	12	28.0
6	6	7	6	2,400	12	34.0
7	3	8	6	2,230	12	19.0
7	4	8	6	2,525	12	26.0
7	5	8	6	2,725	12	33.0
7	6	8	6	2,925	12	40.0
7	7	8	6	3,125	12	47.0

Basic Dimensions						
Span	Rise	Wall Thick.	Sect. Length	Weight per ft.	Haunch	Box Opening
S (ft.)	R (ft.)	T (in.)	L (ft.)	(lbs./ft.)	H (in.)	(ft ²)
8	3	8	6	2,595	12	22.0
8	4	8	6	2,795	12	30.0
8	5	8	6	2,995	12	38.0
8	6	8	6	3,195	12	46.0
8	7	8	6	3,395	12	54.0
8	8	8	6	3,595	12	62.0
9	3	9	6	3,255	12	25.0
9	4	9	6	3,425	12	34.0
9	5	9	6	3,650	12	43.0
9	6	9	6	3,875	12	52.0
9	7	9	6	4,100	12	61.0
9	8	9	6	4,325	12	70.0
9	9	9	6	4,550	12	79.0

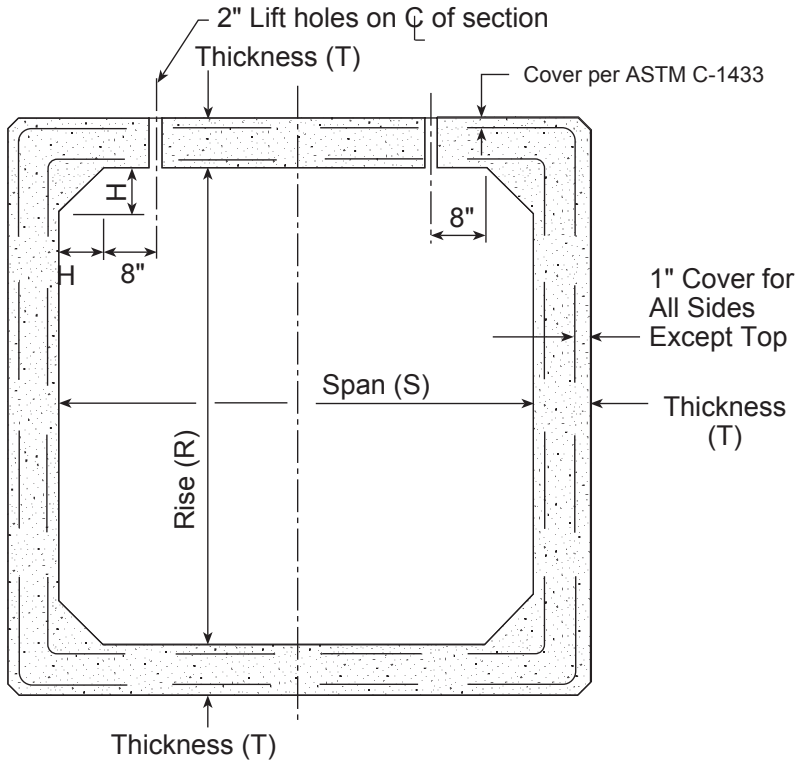
Note:

- (a.) Specifications: ASTM C-1433
- (b.) Railroad loading designs are available.

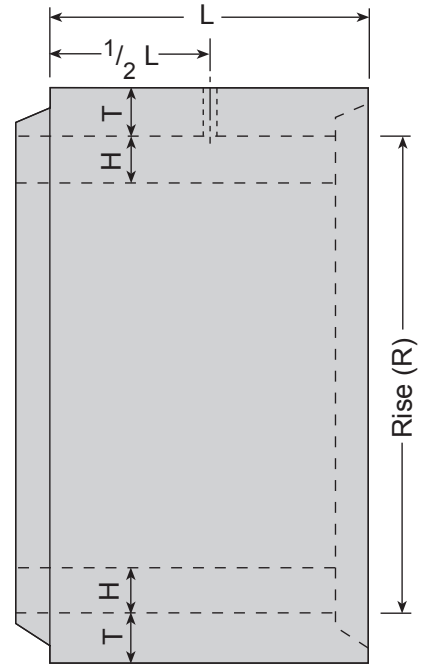
-No Scale-
 All dimensions subject to allowable specification tolerances.

TITLE	PLANT	STATE	SECTION.PAGE	DATE	
Reinforced Concrete Precast Box Section Basic Dimensions	New O. & St. MV.	LA	4.3	12-1-04	

Precast Box Culverts



Section



Side View

Basic Dimensions						
Span	Rise	Wall Thick.	Sect. Length	Weight per ft.	Haunch	Box Opening
S (ft.)	R (ft.)	T (in.)	L (ft.)	(lbs./ft.)	H (in.)	(ft ²)
10	3	10	6	3,870	12	28.0
10	4	10	6	4,120	12	38.0
10	5	10	6	4,370	12	48.0
10	6	10	6	4,620	12	58.0
10	7	10	6	4,870	12	68.0
10	8	10	6	5,120	12	78.0
10	9	10	6	5,370	12	88.0
10	10	10	6	5,620	12	98.0
11	3	11	6	4,610	12	31.0
11	4	11	6	4,890	12	42.0
11	5	11	6	5,160	12	53.0
11	6	11	6	5,430	12	64.0
11	7	11	6	5,705	12	75.0

Basic Dimensions						
Span	Rise	Wall Thick.	Sect. Length	Weight per ft.	Haunch	Box Opening
S (ft.)	R (ft.)	T (in.)	L (ft.)	(lbs./ft.)	H (in.)	(ft ²)
11	8	11	6	5,980	12	86.0
11	9	11	6	6,250	12	97.0
11	10	11	6	6,530	12	108.0
11	11	11	6	6,805	12	119.0
12	3	12	6	5,400	12	34.0
12	4	12	6	5,700	12	46.0
12	5	12	6	6,000	12	58.0
12	6	12	6	6,300	12	70.0
12	7	12	6	6,600	12	82.0
12	8	12	6	6,900	12	94.0
12	9	12	6	7,200	12	106.0
12	10	12	6	7,500	12	118.0
12	11	12	6	7,800	12	130.0
12	12	12	6	8,100	12	142.0

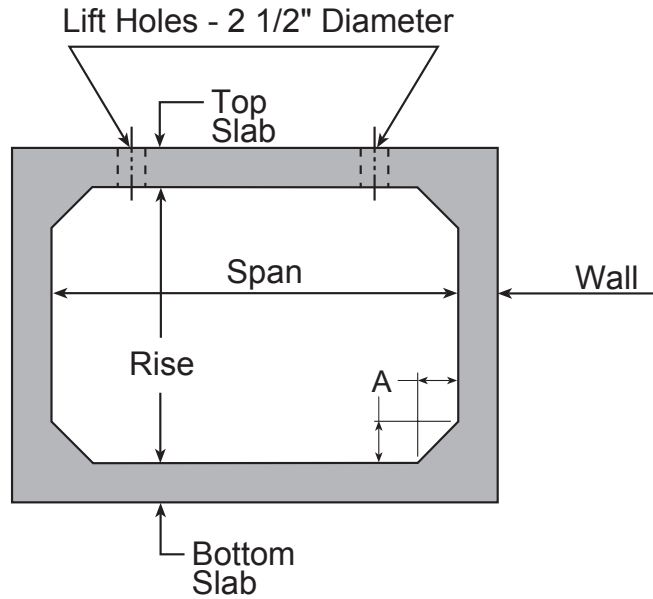
Note:

- (a.) Specifications: ASTM C-1433
- (b.) Railroad loading designs are available.

-No Scale-
 All dimensions subject to allowable specification tolerances.

TITLE	PLANT	STATE	SECTION.PAGE	DATE	
Reinforced Concrete Precast Box Section Basic Dimensions	New O. & St. Mv.	LA	4.4	12-1-04	

Precast Box Culverts



Typical Section

Standard Box Dimensions					
Span (Ft.)	Rise (Ft.)	Top Slab (In.)	Bottom Slab (In.)	Wall (In.)	Weight (Lbs./ft.)
3	2	7	6	4	848
3	3	7	6	4	952
4	2	7 1/2	6	5	1146
4	3	7 1/2	6	5	1276
4	4	7 1/2	6	5	1405
5	2	8	7	6	1541
5	3	8	7	6	1696
5	4	8	7	6	1851
5	5	8	7	6	2006
6	2	8	7	7	1821
6	3	8	7	7	2002
6	4	8	7	7	2183
6	5	8	7	7	2364
6	6	8	7	7	2545
7	2	8	8	8	2238
7	3	8	8	8	2446
7	4	8	8	8	2652
7	5	8	8	8	2859
7	6	8	8	8	3066
7	7	8	8	8	3272

Standard Box Dimensions					
Span (Ft.)	Rise (Ft.)	Top Slab (In.)	Bottom Slab (In.)	Wall (In.)	Weight (Lbs./ft.)
8	3	8	8	8	2652
8	4	8	8	8	2859
8	5	8	8	8	3066
8	6	8	8	8	3272
8	7	8	8	8	3479
8	8	8	8	8	3686
9	4	9	9	9	3511
9	5	9	9	9	3744
9	6	9	9	9	3976
9	7	9	9	9	4209
9	8	9	9	9	4441
9	9	9	9	9	4674
10	4	10	10	10	4228
10	5	10	10	10	4486
10	6	10	10	10	4745
10	7	10	10	10	5003
10	8	10	10	10	5261
10	9	10	10	10	5520
10	10	10	10	10	5778

Standard Box Dimensions					
Span (Ft.)	Rise (Ft.)	Top Slab (In.)	Bottom Slab (In.)	Wall (In.)	Weight (Lbs./ft.)
11	4	11	11	11	5010
11	5	11	11	11	5294
11	6	11	11	11	5578
11	7	11	11	11	5862
11	8	11	11	11	6146
11	9	11	11	11	6430
11	10	11	11	11	6715
11	11	11	11	11	6999
12	4	12	12	12	5856
12	5	12	12	12	6166
12	6	12	12	12	6476
12	7	12	12	12	6786
12	8	12	12	12	7096
12	9	12	12	12	7406
12	10	12	12	12	7716
12	11	12	12	12	8026
12	12	12	12	12	8336

- Note:
- A = Wall thickness
 - Contact manufacturer for standard joint lengths.

-No Scale-
All dimensions subject to allowable specification tolerances.

TITLE	PLANT	STATE	SECTION.PAGE	DATE
Reinforced Concrete Precast Box Section	New O. & St. MV.	LA	4.6	12-1-04

