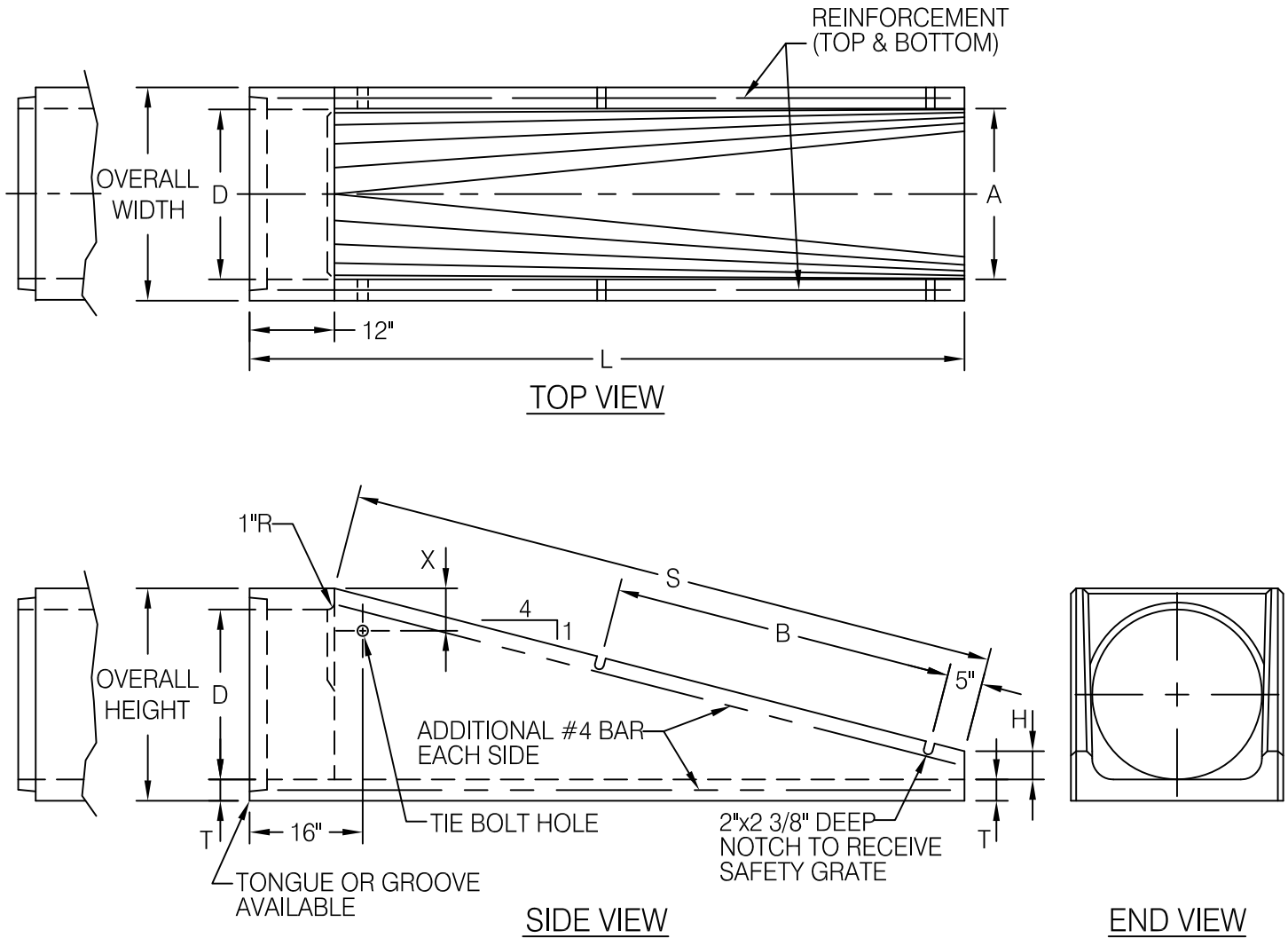


# PRECAST CONCRETE SAFETY APRONS w/4:1 SLOPE



APRON SIZE	D DIA.	A INSIDE	B	L APRON LENGTH	S SLOPE LENGTH	H	T	X	OVERALL HEIGHT	OVERALL WIDTH	WEIGHT LBS.
24"	24"	24"	4'-0"	8'-5"	7'-7 15/16"	4"	3"	6"	30"	30"	1900
30"	30"	30"	4'-0"	8'-6"	7'-8 3/4"	11"	3 1/2"	8"	37"	37"	3170

Notes:  
 Reinforcing steel and concrete per AASHTO M170.  
 Reinforcement shall conform to standard reinforced concrete pipe class II, located at center of wall, plus one (1)#4 bar, top and bottom, each side.  
 Top exposed concrete corners shall have a 3/4" chamfer. 1" radius at throat of barrel.

Copyright © 2016 Forterra Building Products  
 All rights reserved. Information on this document is subject to change without notice.

**FORTERRA™** [www.forterrapeandprecast.com](http://www.forterrapeandprecast.com)

**PRECAST CONCRETE SAFETY APRONS  
w/4:1 SLOPE**

SCALE NOT TO SCALE DATE 6/2/2016 DWG. NO. RCPSAPRON4