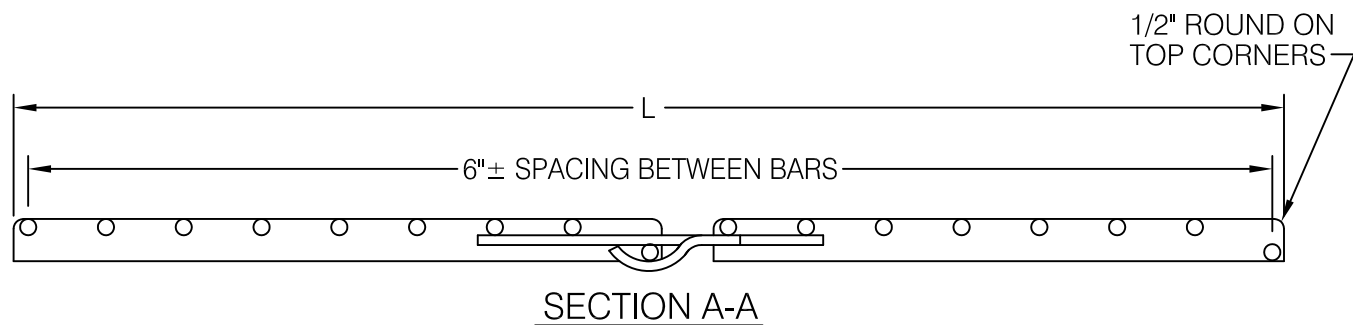
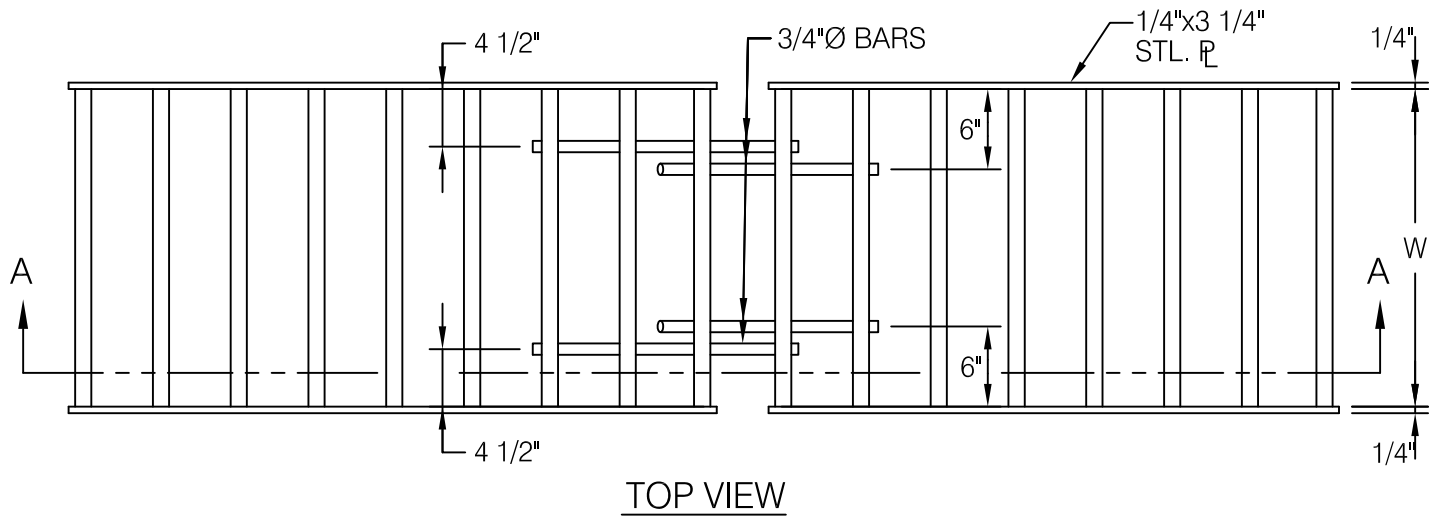


# SAFETY GRATES FOR PRECAST CONCRETE SAFETY APRONS



APRON SIZE	SLOPE	L LENGTH OF GRATE	W WIDTH OF GRATE	NUMBER OF BARS	CROSS BAR DIAMETER	PIECES PER GRATE	WEIGHT LBS.
24"	4:1	7'-2"	31"	15	1 1/4"	2	215
30"	4:1	7'-2"	38"	15	1 1/4"	2	215
12"	6:1	5'-3"	19"	11	1 1/4"	2	100
15"	6:1	8'-2"	25"	17	1 1/4"	2	200
18"	6:1	8'-2"	25"	17	1 1/4"	2	200
24"	6:1	11'-2"	31"	23	1 1/4"	2	320

**Notes:**

Paint grates with two coats of rust resistant paint after fabrication. Paint shall be a high zinc dust content paint conforming to the requirements of Federal Spec. TT-P-641, Type 3.

Structural steel as per MnDOT Spec. 3306 shall be used.

Welded construction.

Copyright © 2016 Forterra Building Products  
All rights reserved. Information on this document is subject to change without notice.

**FORTERRA™** [www.forterrapeandprecast.com](http://www.forterrapeandprecast.com)

**SAFETY GRATES  
FOR PRECAST CONCRETE SAFETY APRONS**

SCALE NOT TO SCALE	DATE 6/2/2016	DWG. NO. RCPSGRATE
--------------------	---------------	--------------------