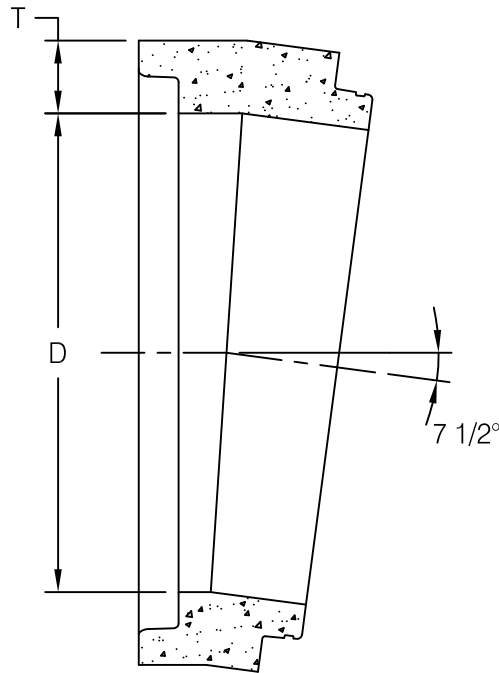


GASKETED PIPE SHORT RADIUS BEND DETAILS



D	T	LAYING LENGTH ON CENTER OF PIPE	RADIUS OF CURVE AT CENTER OF PIPE	WEIGHT PER SECTION
INCHES	INCHES	INCHES	FEET	LBS.
15	5 3/4	9 1/2	6.1	315
18	6	9 13/16	6.2	305
21	6 1/4	9 11/16	6.2	415
24	6 1/2	10	6.4	530
27	6 3/4	11 3/16	7.1	620
30	7	12 3/16	7.7	870
36	7 1/2	14 1/16	8.9	1155
42	8	16 15/16	10.8	1700
48	8 1/2	18 9/16	11.8	2320
54	9	21	13.4	3230
60	9 1/2	22 1/8	14.1	3800
66	10	23 1/8	14.7	4585
72	7	22 5/8	14.4	3420

Notes:

Bend reinforcing and concrete shall be the same as required for adjoining pipe sections.

Copyright © 2016 Forterra Building Products
All rights reserved. Information on this document is
subject to change without notice.



GASKETED PIPE
SHORT RADIUS BEND DETAILS

SCALE NOT TO SCALE DATE 6/1/2016 DWG. NO. CX4SRBEND