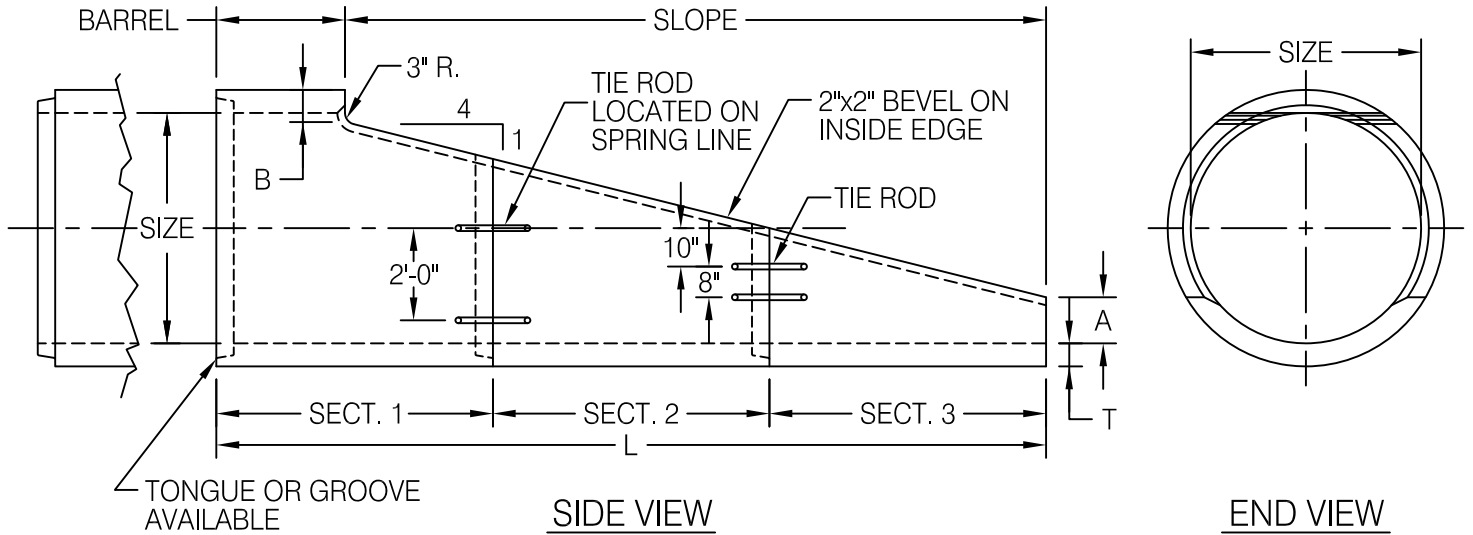


REINFORCED CONCRETE PIPE SLOPED END SECTION DETAILS



| SIZE | T | A | B | SLOPE | BARREL | L | SECTION 1 | | SECTION 2 | | SECTION 3 | |
|--------|--------|--------|--------|------------|-----------|--------|-----------|--------|-----------|--------|-----------|--------|
| INCHES | INCHES | INCHES | INCHES | FEET | FEET | FEET | LENGTH | WEIGHT | LENGTH | WEIGHT | LENGTH | WEIGHT |
| 24 | 3 | 6 7/8 | 5 1/8 | 5'-0" | 3'-0" | 8'-0" | 8'-0" | 1600 | - | - | - | - |
| 30 | 3 1/2 | 9 5/8 | 5 7/8 | 6'-0" | 2'-0" | 8'-0" | 8'-0" | 2150 | - | - | - | - |
| 36 | 4 | 12 | 6 1/4 | 7'-3" | 1'-3" | 8'-6" | 8'-6" | 2950 | - | - | - | - |
| 42 | 4 1/2 | 12 | 6 7/8 | 9'-2 1/2" | 2'-9 1/2" | 12'-0" | 6'-0" | 3500 | 6'-0" | 2150 | - | - |
| 48 | 5 | 12 | 7 3/8 | 11'-2 1/2" | 2'-9 1/2" | 14'-0" | 8'-0" | 5550 | 6'-0" | 2500 | - | - |
| 54 | 5 1/2 | 12 | 7 7/8 | 13'-2 1/2" | 2'-9 1/2" | 16'-0" | 8'-0" | 6950 | 8'-0" | 4100 | - | - |
| 60 | 6 | 12 | 8 3/8 | 15'-2 1/2" | 2'-9 1/2" | 18'-0" | 6'-0" | 6800 | 6'-0" | 4650 | 6'-0" | 3300 |
| 66 | 6 1/2 | 12 | 8 7/8 | 17'-2 1/2" | 2'-9 1/2" | 20'-0" | 8'-0" | 10200 | 6'-0" | 5200 | 6'-0" | 3800 |
| 72 | 7 | 12 | 9 3/8 | 19'-2 1/2" | 2'-9 1/2" | 22'-0" | 8'-0" | 12050 | 8'-0" | 8050 | 6'-0" | 4250 |

Notes:

Reinforcing steel and concrete per AASHTO M170.
Reinforcement shall conform to standard reinforced concrete pipe Class II, located at center of wall.

Copyright © 2016 Forterra Building Products
All rights reserved. Information on this document is subject to change without notice.

FORTERRA™ www.forterrapipeandprecast.com

REINFORCED CONCRETE PIPE
SLOPED END SECTION DETAILS

SCALE NOT TO SCALE DATE 6/2/2016 DWG. NO. RCPSLOPE