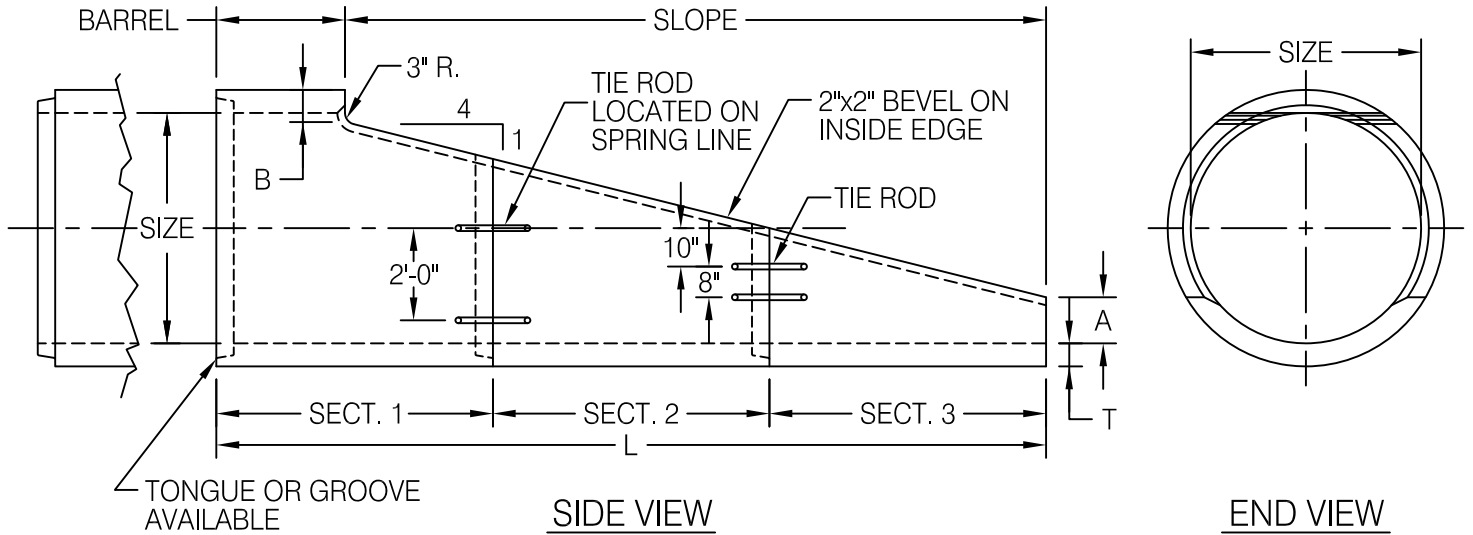


REINFORCED CONCRETE PIPE SLOPED END SECTION DETAILS



SIZE	T	A	B	SLOPE	BARREL	L	SECTION 1		SECTION 2		SECTION 3	
INCHES	INCHES	INCHES	INCHES	FEET	FEET	FEET	LENGTH	WEIGHT	LENGTH	WEIGHT	LENGTH	WEIGHT
24	3	6 7/8	5 1/8	5'-0"	3'-0"	8'-0"	8'-0"	1600	-	-	-	-
30	3 1/2	9 5/8	5 7/8	6'-0"	2'-0"	8'-0"	8'-0"	2150	-	-	-	-
36	4	12	6 1/4	7'-3"	1'-3"	8'-6"	8'-6"	2950	-	-	-	-
42	4 1/2	12	6 7/8	9'-2 1/2"	2'-9 1/2"	12'-0"	6'-0"	3500	6'-0"	2150	-	-
48	5	12	7 3/8	11'-2 1/2"	2'-9 1/2"	14'-0"	8'-0"	5550	6'-0"	2500	-	-
54	5 1/2	12	7 7/8	13'-2 1/2"	2'-9 1/2"	16'-0"	8'-0"	6950	8'-0"	4100	-	-
60	6	12	8 3/8	15'-2 1/2"	2'-9 1/2"	18'-0"	6'-0"	6800	6'-0"	4650	6'-0"	3300
66	6 1/2	12	8 7/8	17'-2 1/2"	2'-9 1/2"	20'-0"	8'-0"	10200	6'-0"	5200	6'-0"	3800
72	7	12	9 3/8	19'-2 1/2"	2'-9 1/2"	22'-0"	8'-0"	12050	8'-0"	8050	6'-0"	4250

Notes:

Reinforcing steel and concrete per AASHTO M170.
Reinforcement shall conform to standard reinforced concrete pipe Class II, located at center of wall.

Copyright © 2016 Forterra Building Products
All rights reserved. Information on this document is subject to change without notice.



**REINFORCED CONCRETE PIPE
SLOPED END SECTION DETAILS**

SCALE NOT TO SCALE DATE 6/2/2016 DWG. NO. RCPSLOPE