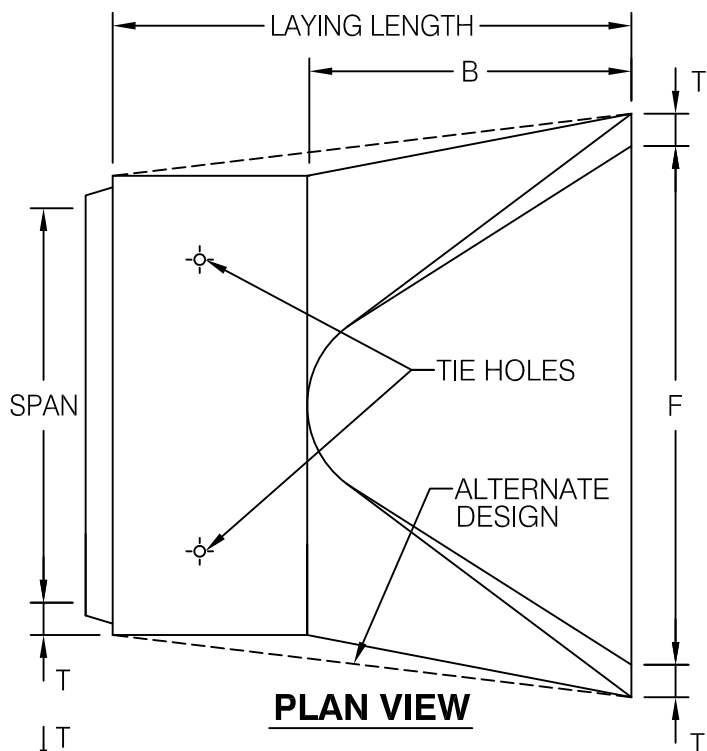
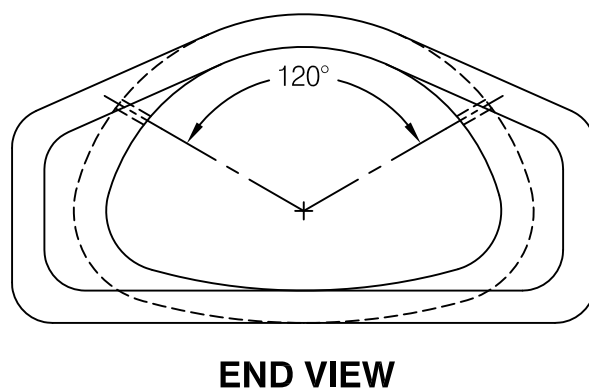
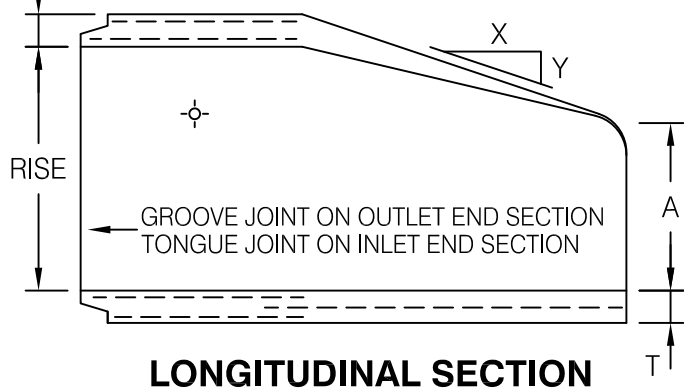


CONCRETE ARCH PIPE FLARED END SECTIONS



Tie bolt holes are provided for the installation of tie bolts between the flared end section and the adjacent pipe.



EQUIVALENT SIZE	RISE	SPAN	LAYING LENGTH	SLOPE	T	A	B	F	WEIGHT PER SECTION
INCHES	INCHES	INCHES	FEET	X to Y	INCHES	INCHES	INCHES	INCHES	LBS.
18	13 1/2	22	6	3 to 1	2 1/2	7	27	36	1090
24	18	28 1/2	6	3 to 1	3 1/2	8 1/2	39	48	1760
30	22 1/2	36 1/4	8	3 to 1	4	9 1/2	50	60	3280
36	26 5/8	43 3/4	8	3 to 1	4 1/2	11 1/8	60	72	4330
42	31 5/16	51 1/8	8	3 to 1	4 1/2	15 13/16	60	78	5260
48	36	58 1/2	8	3 to 1	5	21	60	84	6380
54	40	65	8	3 to 1	5 1/2	25 1/2	60	90	7860
60	45	73	8	3 to 1	6	31	60	96	9520
72	54	88	8	2 to 1	7	31	60	120	13550
84	62	102	9	2 to 1	8	21 1/2	84	144	20000

End section is manufactured in accordance with applicable portions of ASTM Specifications C506.

Copyright © 2016 Forterra Building Products.
All rights reserved. Information on this document is subject to change without notice.



CONCRETE ARCH PIPE FLARED END SECTIONS