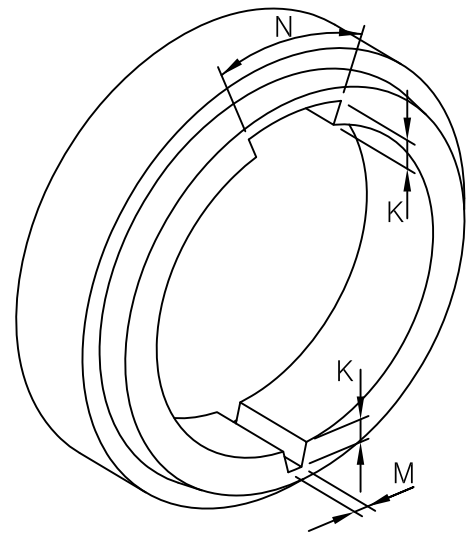
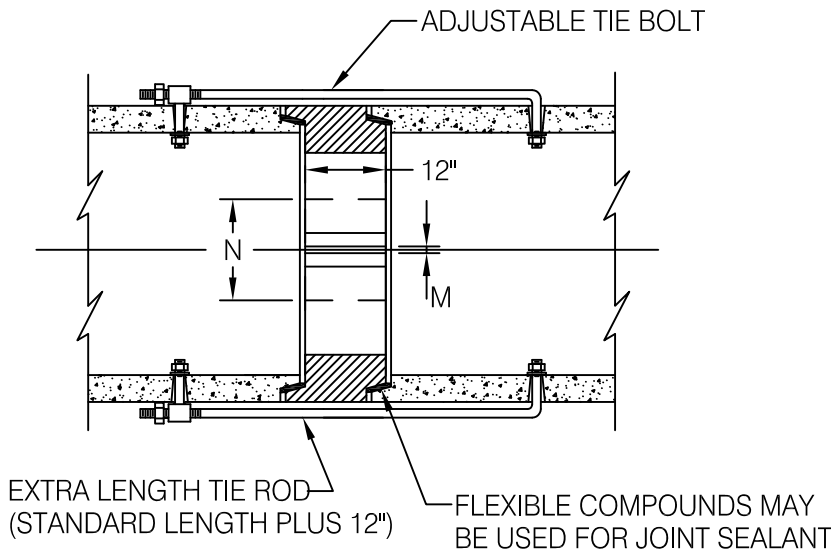
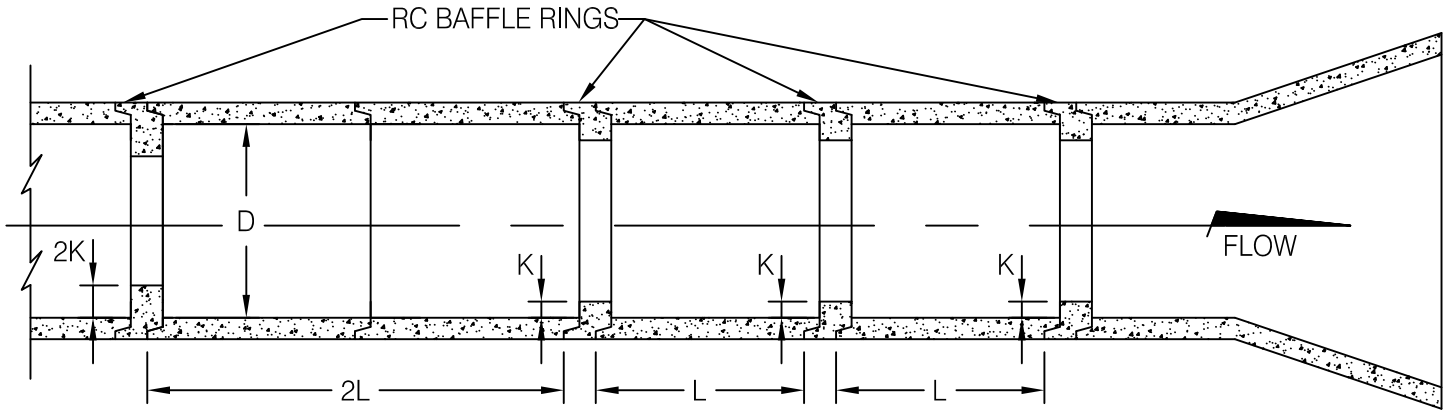


REINFORCED CONCRETE PIPE ENERGY DISSIPATER BAFFLE SECTIONS



CULVERT DIA D INCHES	K INCHES	L FEET	M (MINIMUM) INCHES	N (MINIMUM) INCHES
24	1 1/2	4	1	7
30	3	4	1	9
36	3	4	1	10
42	3	4	2	12
48	3	6	2	14
54	6	6	2	16
60	6	8	3	18
66	6	8	3	20
72	6	8	3	22
78	6	10	3	24

Notes:
Baffle rings conform to the material strength and requirements of the pipe line and are usually specified in sets of four.

Copyright © 2016 Forterra Building Products
All rights reserved. Information on this document is subject to change without notice.



REINFORCED CONCRETE PIPE
ENERGY DISSIPATER BAFFLE SECTIONS

SCALE NOT TO SCALE DATE 6/1/2016 DWG. NO. RCPSDISS