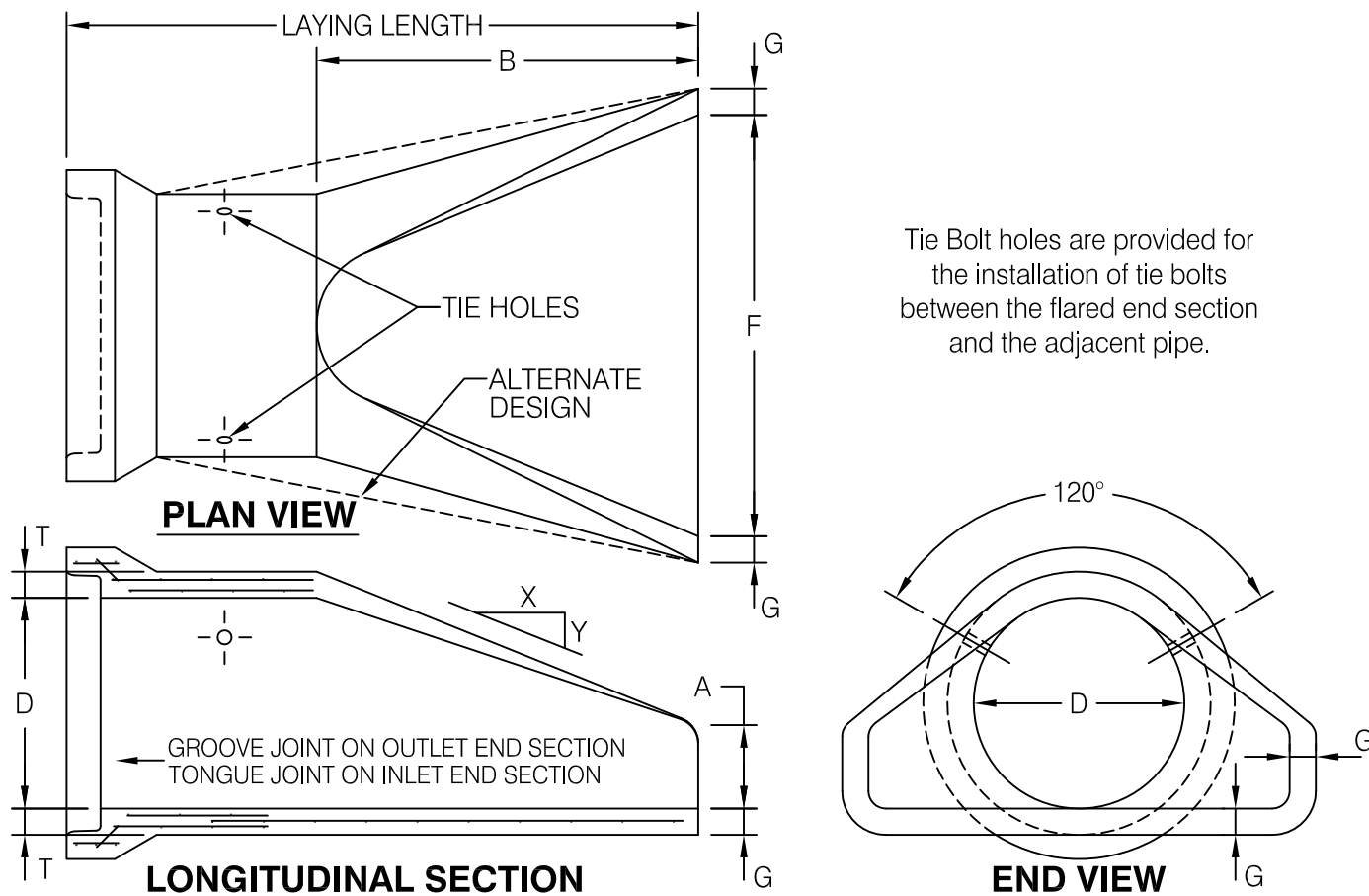


GASKETED PIPE FLARED END SECTIONS



PIPE DIAMETER D	LAYING LENGTH		SLOPE X TO Y	T INCHES	A INCHES	B INCHES	F INCHES	G INCHES	WEIGHT PER SECTION LBS.
	OUTLET	INLET							
12	6'-0"	6'-0"	2.4 to 1	2	4	24	24	2	530
15	6'-0"	6'-0"	2.4 to 1	2 1/4	6	27	30	2 1/4	740
18	6'-0"	6'-0"	2.3 to 1	2 1/2	9	27	36	2 1/2	990
21	6'-0"	6'-0"	2.4 to 1	2 3/4	9	36	42	2 3/4	1280
24	6'-0"	6'-0"	2.5 to 1	3	9 1/2	43 1/2	48	3	1520
27	6'-0"	6'-0"	2.5 to 1	3 1/4	10 1/2	49 1/2	54	3 1/4	1930
30	6'-0"	6'-0"	2.5 to 1	3 1/2	12	54	60	3 1/2	2190
33	6'-6"	6'-6"	2.5 to 1	3 3/4	13 1/2	58 1/2	66	3 3/4	3850
36	8'-2"	7'-10"	2.5 to 1	4	15	63	72	4	4100
42	8'-2"	7'-9 1/2"	2.5 to 1	4 1/2	21	63	78	4 1/2	5380
48	8'-2"	7'-9 1/2"	2.5 to 1	5	24	72	84	5	6550
54	8'-2 1/2"	7'-9 1/2"	2.0 to 1	5 1/2	27	65	90	5 1/2	8240
60	8'-3"	7'-10"	1.9 to 1	6	35	60	96	5	8730
66	8'-3"	7'-10"	1.7 to 1	6 1/2	30	72	102	5 1/2	10710
72	8'-3"	7'-10"	1.9 to 1	7	36	78	108	6	12520
78	9'-3"	8'-10"	1.8 to 1	7 1/2	36	90	114	6 1/2	14770
84	9'-3 1/2"	8'-10 1/2"	1.5 to 1	8	36	90 1/2	120	6 1/2	18160
90	9'-3 1/2"	8'-10 1/2"	1.5 to 1	8 1/2	41	87 1/2	132	6 1/2	20900

End section is manufactured in accordance with applicable portions of ASTM Specifications C76.