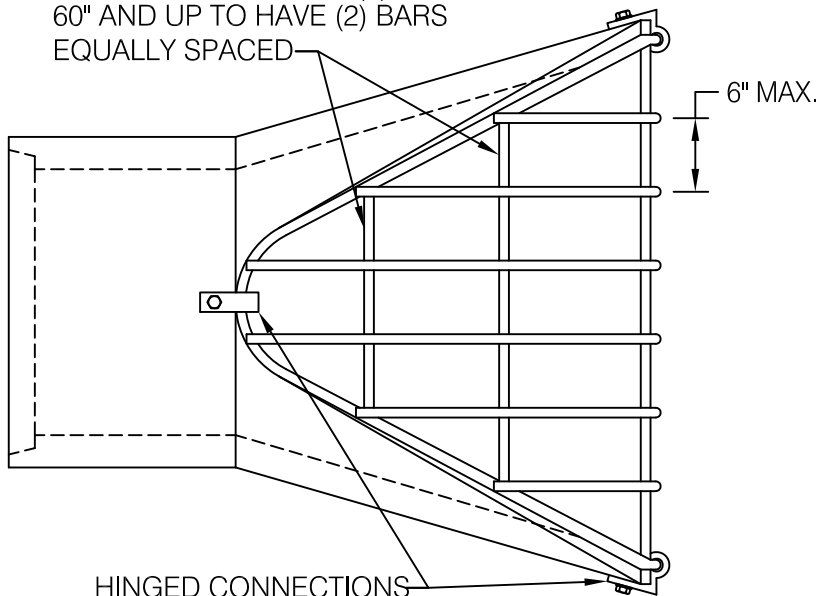
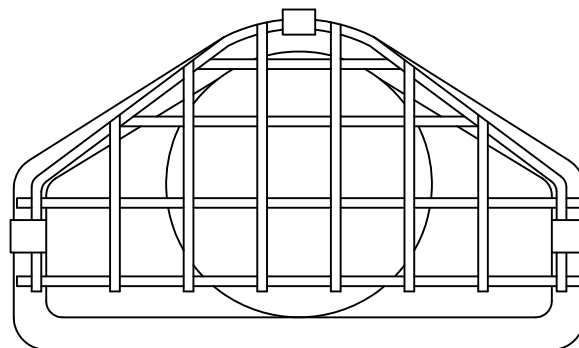
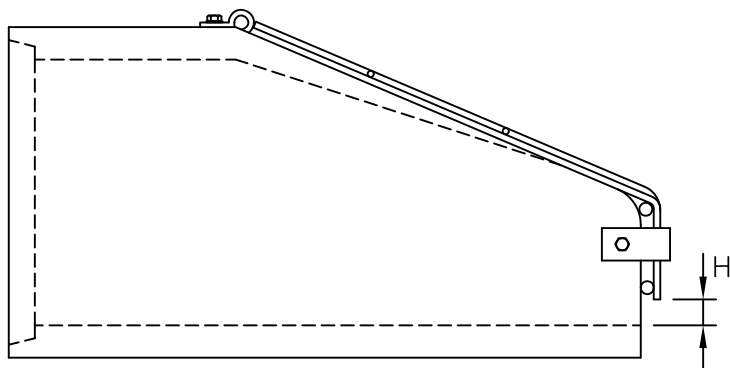


TRASH GUARDS FOR FLARED END SECTIONS

ALL GUARDS TO HAVE (1) CROSS BAR,
60" AND UP TO HAVE (2) BARS
EQUALLY SPACED



ROUND	
PIPE SIZE	H
12"	2 1/2"
15"	3"
18"-24"	4"
27"-36"	5"
42"-54"	6"
60"-72"	7"
78"-90"	8"



BAR SIZES							
STANDARD DESIGN				HEAVY DESIGN			
PIPE SIZE	HOLE DIA. REQ'D	BOLT DIA.	BAR SIZE	PIPE SIZE	HOLE DIA. REQ'D	BOLT DIA.	BAR SIZE
12"-24"	3/4"	5/8"	5/8"	12"-18"	3/4"	5/8"	3/4"
27"-48"	7/8"	3/4"	3/4"	21"-42"	7/8"	3/4"	1"
54"-90"	1 1/8"	1"	1"	48"-90"	1 1/8"	1"	1 1/4"
BOLT LENGTH = PIPE WALL THICKNESS + 2 1/2"							

Note:
Hot dip galvanized per ASTM A153.

Copyright © 2016 Forterra Building Products
All rights reserved. Information on this document is
subject to change without notice.



TRASH GUARDS FOR
FLARED END SECTIONS

SCALE NOT TO SCALE DATE 6/1/2016 DWG. NO. RCPTRASH