



3
19

ONTARIO PRICE LIST

EFFECTIVE MARCH 1, 2019



GROUNDING IN STRENGTH





Terms and Conditions of Sale	4-5
Circular Pipe: Approximate Mass and Dimensions	6
Circular Pipe: Prices	7
Tees and Wyes	8
Metre Tees	9
Bends	10
Plugs and Caps	11
Elliptical Pipe	12
Microtunneling	13
Box Culvert Units	14
Maximum Pipe Sizes for Maintenance Holes	15
Maintenance Hole Estimating Tables	16-17
Maintenance Holes and Utility Chambers (Circular) 1200mm and 1500mm	18
Maintenance Holes and Utility Chambers (Circular) 1800mm to 3600mm	19
Flexible Pipe-to-Maintenance Hole Connectors	20
Catch Basins / Ditch Inlets	20
Grade Adjustment Units	21
Miscellaneous Accessories	21
Rectangular Maintenance Holes and Utility Chambers	22-25
Drop Structures	26
Endwalls	27
Quick Headwalls	27
Stormceptor® Stormwater Quality & Management Solutions	28
QuickSpan®	30
Ottawa Specific Products	31-32



1. Quotations are open for acceptance for 30 days from the date thereof.
2. Acceptance of any quotation shall not obligate the Seller until the Purchaser's credit is approved by our Credit Department.
3. Payment terms: Net 30 days. A discount of 3% for concrete products will be allowed if payment is received by the 25th of the month following delivery, provided there are no overdue invoices outstanding. Service charge of 2% per month (24% per year) on overdue accounts. Note: HST is not subject to discount. All taxes are extra.
4. All prices are subject to any increase in taxes or freight or to the imposition of new taxes in which case the amount of the increase will be added.
5. The prices contained in this list are based on the use of Normal Portland Cement, with rubber gaskets complying with CSA A257.3. An additional 5% will be charged for products manufactured with type 20 cement, and 10% for products manufactured with type 50 cement. An additional 10% will be charged for "Jacking Pipe".
6. Prices include delivery in truckload quantities, FOB trucks at jobsite, within Ontario, within 250 kilometers of the Regional Municipality of Waterloo, Regional Municipality of Durham, Metropolitan Toronto, City of Windsor or City of Ottawa. For delivery outside these areas please contact our office for prices. Less than truckload quantities (tractor trailer) is priced FOB plant with delivery charges extra.
7. Delivery to the jobsite by the seller shall be construed to mean motor truck delivery, as close to jobsite designated storage area, or to line of trench as is practicable for loaded motor trucks and trailers operating under their own power, without risk of accident, injury or undue delay. The Purchaser shall provide and maintain suitable access including access roads to project site for delivery of goods. Delivery beyond a point accessible to loaded trucks shall be at the risk of the Purchaser.
8. The Seller reserves the right to make an extra charge for unreasonable delay in unloading or releasing its vehicles.
9. The Seller reserves the right to make an extra charge for deliveries of less than truckload quantities other than the final load to finish a specific project.
10. Prices are based on deliveries made during normal working hours.
11. The Seller requires no less than 24 hours notice of the Purchaser's requirements for standard or pre-ordered material, to ensure adequate service and to enable the Seller to schedule trucks and deliveries.
12. The Seller shall not be liable for delay or non-delivery caused by the failure of the transportation facilities, strikes, fire, war, flood, accident or any other cause beyond its control.
13. Quotations are made on the condition that full delivery will be taken within six months from acceptance of order. Any goods delivered after this period will be subject to any increase in prices shown in our regularly published price lists, in effect at the time of each delivery.
14. The Purchaser will inspect the concrete products and other goods purchased at the time of delivery and any claims in respect thereto must be made at that time. If any such concrete products or other goods are found to be defective, the Seller will deliver new goods to the Purchaser at the site of the work in lieu thereof, but it is a condition of sale that this will be the limit of the Seller's liability and will not be liable for any labour cost or other consequential damages.
15. Material returned for credit will be subject to freight charges and the acceptance of the Seller. Special precast concrete products ordered by customer are not subject to cancellation. Any special products not taken will be charged to the customer. No credit will be issued when the section is resold. There will be a 25% handling charge for any standard stock products returned.



16. The Purchaser is reminded to verify all quantities, calculations, specifications, etc., and the Seller assumes no liability in this regard.
17. No warranties, representations, conditions or agreements exist which are not set out in this price list.
18. Waiver of any one or more of the terms and conditions herein by the Seller shall not constitute a general waiver of terms and conditions and the Seller reserves the right to enforce any and all conditions not so waived. Any such waiver must be in writing.
19. The drawings and specifications of any seller proposal or any quotation are confidential engineering data, and represents Sellers investment in engineering skills and development and remain the property of the seller.



nominal diameter (mm)	actual OD (mm)	length per piece (m)	approximate mass		wall thickness (mm)
			(kg/m)	(kg/piece)	
300	445	2.29	219	502	70
375	533	2.29	296	678	76
450	585	2.29	292	669	64
525	711	2.29	461	1,055	89
600	800	2.29	549	1,258	95
675	890	2.29	678	1,553	102
750	978	2.29	757	1,734	108
825 Cambridge	1,066	2.29	858	1,965	114
825 Ottawa	1,066	2.44	858	2,094	114
900	1,156	2.29	1,001	2,292	121
975 Cambridge	1,245	2.29	1,144	2,620	127
975 Ottawa	1,245	2.44	1,144	2,791	127
1050	1,333	2.44	1,283	3,131	133
1200 Cambridge	1,511	2.44	1,581	3,858	146
1200 Ottawa	1,473	2.44	1,340	3,270	127
1350	1,690	2.44	1,933	4,717	159
1500	1,828	2.44	1,927	4,702	152
1650	2,006	2.44	2,449	5,976	165
1800	2,185	2.44	2,695	6,576	178
1950	2,363	2.44	3,125	7,625	191
2100	2,540	2.44	3,585	8,747	203
2250	2,718	2.44	4,326	10,555	216
2400	2,896	2.44	4,598	11,219	229
2550	3,073	2.44	5,179	12,637	241
2700	3,251	2.44	5,752	14,035	254
3000	3,606	2.44	7,541	18,400	279



size (mm)	non-reinforced - CSA A257.2		reinforced - CSA A257.2			
	Class 2	Class 3	50-D	65-D	100-D	140-D
300			\$92.30	\$92.30	\$92.30	\$92.30
375			113.90	113.90	113.90	113.90
450			117.40	117.40	117.40	146.70
525			127.90	127.90	149.40	176.40
600			172.10	172.10	198.00	232.70
675			263.90	263.90	300.60	352.00
750			347.90	347.90	397.60	464.80
825			403.60	403.60	513.20	539.40
900			484.20	484.20	553.80	646.60
975			531.20	559.20	636.30	744.70
1050			608.30	638.80	731.50	852.00
1200			762.40	800.90	916.30	1,067.60
1350			980.50	1,029.40	1,177.60	1,371.50
1500			1,199.30	1,258.60	1,438.90	1,678.60
1650			1,436.00	1,509.00	1,724.70	2,010.80
1800			1,735.40	1,824.50	2,082.90	2,430.60
1950			2,012.40	2,115.40	2,414.60	2,818.50
2100			2,309.30	2,422.50	2,770.40	3,231.20
2250			2,624.40	2,756.90	3,149.90	3,675.20
2400			3,071.80	3,222.60	3,683.60	4,297.90
2550			3,459.80	3,629.60	4,149.70	4,842.00
2700			3,839.60	4,031.20	4,607.60	5,375.80
3000			4,701.90	4,939.40	5,645.10	6,585.50

NOTES:

1. **Special Design Pipe (>140D)** - contact our engineering department.
2. **Jacking Pipe** (1200mm and larger only) - add 10% to the above price per metre.
Contact our engineering department for smaller tunneling pipe.
3. **Scribed Holes and Knockouts** - \$113.10 each, for mainline up to 1350mm
\$226.00 each, for mainline 1500mm and larger.
4. **Reducers and Increases** Price per metre of the larger pipe x 6.5, for sizes 300mm and larger.
(Price per piece)



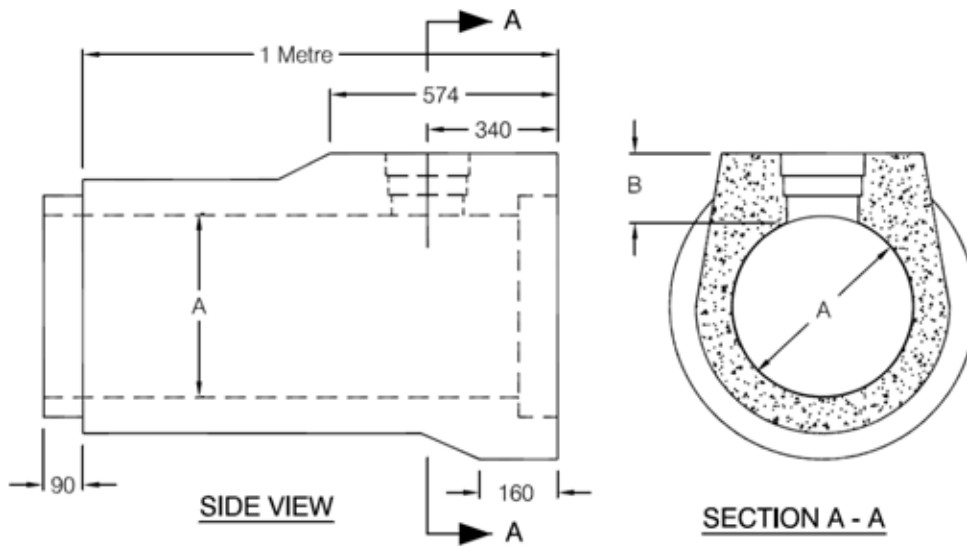
branch size (mm)	main pipe size (mm)					
	300-525	600-825	900-1200	1350-1800	1950-2400	2550-3000 and boxes
100	\$149.90	\$157.60	\$200.90	\$272.50	\$326.30	\$377.90
125	164.60	172.40	220.60	298.50	358.30	414.20
150	181.40	190.70	242.90	329.50	394.70	457.10
200	241.90	254.20	324.20	439.40	526.90	609.30
250	271.10	284.30	362.70	491.90	589.90	682.30
300	368.90	522.40	677.90	960.50	1,243.10	1,694.70
375	446.10	597.50	804.60	1,127.20	1,483.00	1,824.40
450	545.50	675.40	884.80	1,207.30	1,563.30	1,904.30
525	589.10	696.50	906.80	1,229.30	1,585.10	1,926.20
600		871.50	1,086.50	1,409.20	1,764.70	2,106.10
675		1,240.50	1,407.10	1,730.10	2,085.80	2,427.10
750		1,602.00	1,746.80	2,069.20	2,425.10	2,766.00
825		1,832.60	1,954.90	2,277.90	2,633.80	2,974.90
900			2,273.40	2,596.20	2,951.80	3,292.70
975			2,588.40	2,884.80	3,241.00	3,581.90
1050			2,939.90	3,206.80	3,562.10	3,903.30
1200			3,627.80	3,850.20	4,206.30	4,547.20
1350				4,801.00	5,129.40	5,532.90
1500				5,798.00	6,124.90	6,483.00
1650				6,877.50	7,157.60	7,515.60
1800				8,258.90	8,492.50	8,850.70

NOTES:

1. Branches 300mm and smaller are available for concrete or smooth wall PVC pipe.
Branches 375mm and larger are available for concrete pipe only.
2. **Maintenance Hole Tees** - prices are calculated in the same fashion as pipe tees.



branch size (mm)	main pipe size (mm)		
	300	375	450
125	\$256.90	\$278.50	\$311.30
150	273.60	295.20	328.10
200	334.00	355.50	388.50
250	363.30	385.00	417.80
300	461.10	482.60	515.60



Diameter of Main A	Branch Depth B	Approx. Mass Kg
300	125	249
375	125	277
450	125	365

Bends - price per piece (includes rubber gasket)



size (mm)	reinforced CSA A257.2				max angle (degrees)
	50-D	65-D	100-D	140-D	
300	\$497.10	\$497.10	\$497.10	\$497.10	90
375	615.70	615.70	615.70	615.70	90
450	634.40	634.40	634.40	792.50	90
525	691.00	691.00	807.90	951.50	90
600	878.20	878.20	1,008.50	1,186.60	90
675	1,320.10	1,320.10	1,503.20	1,760.00	90
750	1,740.10	1,740.10	1,989.30	2,324.10	90
825	2,017.60	2,017.60	2,565.80	2,696.90	90
900	2,418.70	2,418.70	2,767.40	3,230.20	90
975	2,656.00	2,797.10	3,181.90	3,721.60	90
1050	3,041.20	3,194.60	3,656.90	4,260.50	90
1200	3,810.80	4,003.90	4,581.20	5,338.10	90
1350	4,904.00	5,146.70	5,888.10	6,857.70	90
1500	5,995.20	6,291.50	7,194.50	8,393.50	84
1650	7,181.20	7,544.80	8,622.30	10,050.30	78
1800	8,676.10	9,121.10	10,415.00	12,152.20	74
1950	10,063.40	10,575.90	12,071.60	14,092.40	71
2100	11,546.20	12,112.00	13,850.90	16,153.80	67
2250	13,122.80	13,782.50	15,749.00	18,376.70	63
2400	15,358.80	16,113.50	18,416.80	21,489.00	60
2550	17,298.50	18,147.50	20,747.80	24,210.40	57
2700	19,198.60	20,155.40	23,038.50	26,877.70	54
3000	23,509.60	24,695.50	28,225.40	32,926.80	50



size (mm)	price (\$)	approximate mass (kg/pc)	
		plugs	caps
300	\$92.30	25	98
375	113.90	38	141
450	146.70	51	186
525	176.40	67	234
600	232.70	83	259
675	352.00	102	285
750	464.80	126	378
825	539.40	149	372
900	646.60	174	414
975	744.70	558	558
1050	852.00	898	898
1200	1,067.60	1,168	1,168
1350	1,371.50	1,454	1,454
1500	1,678.60	1,788	1,788
1650	2,010.80	2,156	2,156
1800	2,430.60	2,554	2,554
1950	2,818.50	2,994	2,994
2100	3,231.20	3,467	3,467
2250	3,675.20	3,973	3,973
2400	4,297.90	4,507	4,507
2550	4,842.00	5,088	5,088
2700	5,375.80	5,698	5,698
3000	6,585.50	6,971	6,971



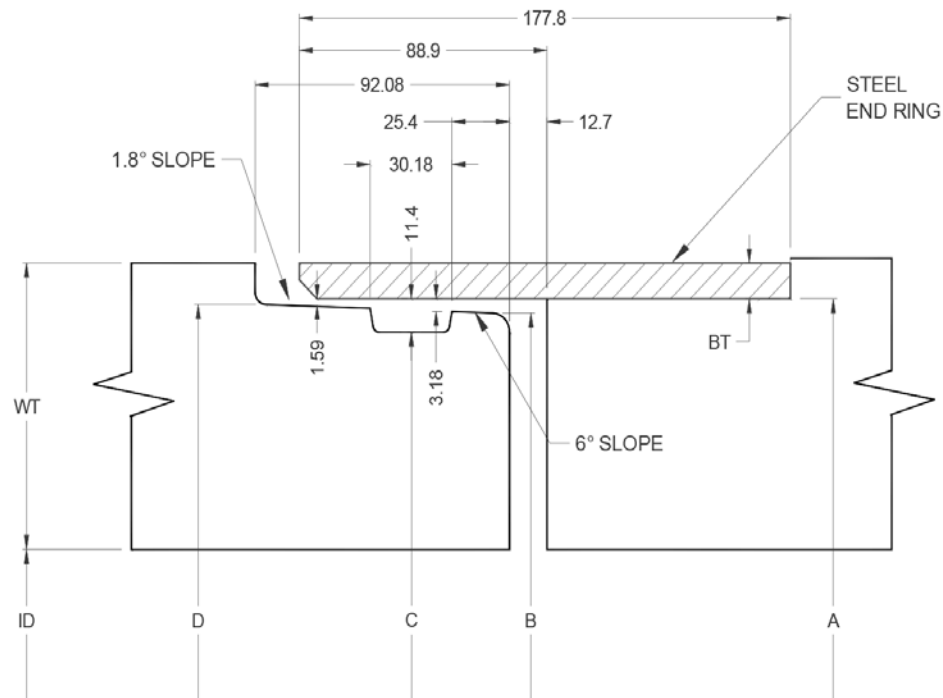
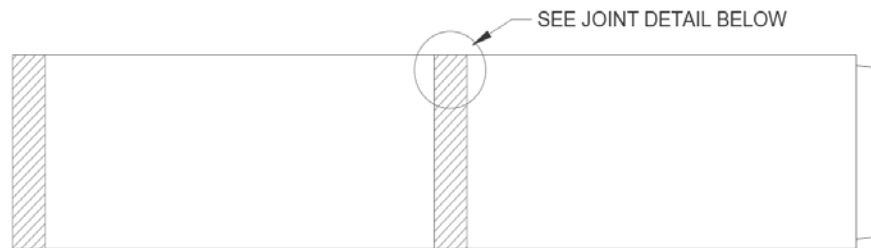
size rise x span (mm)	diameter (mm)	Equivalent				approx. mass (kg/m)
		HE I	HE II	HE III	HE IV	
730 x 1150	900	\$701.60	\$740.90	\$822.50	\$943.60	931
855 x 1345	1050	858.80	898.40	1,013.10	1,161.30	1,214
975 x 1535	1200	1,055.40	1,103.50	1,239.80	1,430.20	1,490
1095 x 1730	1350	1,324.60	1,394.50	1,563.80	1,799.60	1,840
1220 x 1920	1500	1,578.90	1,660.70	1,869.10	2,147.00	2,198
1340 x 2110	1650	1,872.20	1,968.90	2,207.70	2,543.40	2,600
1465 x 2305	1800	2,253.20	2,362.10	2,652.00	3,054.80	3,040
1585 x 2495	1950	2,588.70	2,725.10	3,054.80	3,520.00	3,502
1705 x 2690	2100	2,951.80	3,106.10	3,484.10	4,013.10	3,993
1950 x 3070	2400	3,910.00	4,109.50	4,611.20	5,313.00	5,096
2195 x 3455	2700	4,630.20	4,865.70	5,461.50	6,286.60	6,035

NOTES:

1. **Unit Length** for all above sizes is 2.44m.
2. **Bends** - multiply the price per metre of the pipe by 5.0.
3. **Reducers and Increasers** - multiply the price per metre of the larger pipe by 6.0.
4. **Plugs and Caps** - multiply the price per metre of the HE IV pipe by 1.0.
5. **Maintenance Hole Tees** - multiply the price per metre of the pipe by 2.44 and add \$4,342.20 for the 1200mm diameter riser stub.
6. **Tees and Wyes** - multiply the price per metre of the pipe by 2.44 and add the branch price from page 8. (For elliptical branches, use the equivalent diameter).



nominal diameter ID	actual diameter ID	wt	bt	A	B	C	D
600	609.60	95.25	9.50	781.05	769.37	758.24	779.27
750	762.00	107.95	9.50	952.50	940.82	929.69	950.75
900	914.00	120.65	9.50	1132.84	1121.15	1110.03	1131.09
1050	1066.80	133.35	9.50	1300.78	1286.89	1275.77	1296.82
1200	1219.00	146.05	9.50	1479.30	1467.61	1456.49	1477.54



NOTES:

1. Contact our engineering department for any sizes not shown.
2. All dimensions are in millimeters.
3. Grout ports and one way valves are available as required.
4. Steel end rings are zinc metallized, hot dip galvanized or epoxy coated.
5. Intermediate jacking stations are available when required.
6. Manufactured in accordance with CSA A257.2.
7. Standard lengths are 2.438m.

nominal diameter i.d.	price per metre
600	\$486.00
750	\$752.90
900	\$1,047.10
1050	\$1,335.30
1200	\$1,673.30



size span x rise (mm)	price (\$)	wall thickness (mm)	design earth cover (m)	no. of anchors	swift lift	approximate mass (kg/m)
1800 x 900	\$1,983.90	200	0.6 to 5.5	4	4 Tonne	3,329
1800 x 1200	2,165.60	200	0.6 to 5.5	4	4 Tonne	3,631
2400 x 1200	2,763.10	200	0.6 to 3.6	4	4 Tonne	4,237
2400 x 1500	2,960.20	200	0.6 to 3.6	4	4 Tonne	4,530
2400 x 1800	3,158.00	203	0.6 to 3.6	4	4 Tonne	4,924
3000 x 1500	4,323.20	250	0.6 to 3.6	4	8 Tonne	6,662
3000 x 1800	4,571.00	250	0.6 to 3.6	4	8 Tonne	6,997
3000 x 2100	4,816.70	250	0.6 to 3.6	4	8 Tonne	7,376
3000 x 2400	5,061.80	254	0.6 to 3.6	4	8 Tonne	7,893

box culvert units

CHBDC truck - not in OPSS 1821 price per metre (non-gasketed joint)

size span x rise (mm)	price(\$)	wall thickness (mm)	design earth cover (m)	no. of anchors	swift lift	approximate mass (kg/m)
1800 x 900	\$2,496.50	200	0.0 to 0.6 & 5.5 to 8.0	4	4 Tonne	3,329
1800 x 1200	2,716.00	200	0.0 to 0.6 & 5.5 to 8.0	4	4 Tonne	3,631
2400 x 1200	3,473.40	200	0.0 to 0.6 & 3.6 to 6.0	4	4 Tonne	4,237
2400 x 1500	3,750.50	200	0.0 to 0.6 & 3.6 to 5.0	4	4 Tonne	4,530
2400 x 1800	3,952.20	203	0.0 to 0.6 & 3.6 to 5.0	4	4 Tonne	4,924
3000 x 1500	5,316.80	250	0.0 to 0.6 & 3.6 to 5.0	4	8 Tonne	6,662
3000 x 1800	5,539.60	250	0.0 to 0.6 & 3.6 to 5.0	4	8 Tonne	6,997
3000 x 2100	5,828.40	250	0.0 to 0.6 & 3.6 to 5.0	4	8 Tonne	7,376
3000 x 2400	6,120.00	254	0.0 to 0.6 & 3.6 to 5.0	4	8 Tonne	7,893

Additional sizes available upon request. Please contact our engineering department or sales representative.

NOTES:

- 1) **Butyl Material** - Add 5% to above price per metre
- 2) **Unit Length** for all above sizes is 2.50m.
- 3) For **Design Cover** more than shown above, contact our engineering department.
- 4) **Radius Box Units** - add 15% to the price of straight box units.
- 5) **Bends** - multiply the price per metre by 5.0.
- 6) **Bulkheads, Plugs and Caps** - multiply the price per metre of the box unit by 1.0.
- 7) **Bevelled or Sloped End Box Units** - add 20% to the price of straight box units.
- 8) **Flush End Box Units** - add \$775.10 to the price of the box unit.
- 9) **Tees and Wyes:**
 - Box Branch - multiply the price per metre of the main box unit by 6.0.
 - Pipe Branch - multiply the price per metre of the main box unit by 2.5 and add the branch price from page 8. (For elliptical branches, use the equivalent diameter).
- 10) **Reducers and Increasers** - multiply the price per metre of the larger box unit by 6.0.
- 11) Formed opening for **1200mm Maintenance Hole Riser** - add \$1,291.80 to the price of the box unit.
- 12) **Scribed Holes** - add \$226.00 each.
- 13) Standard 15M **Dowels and Inserts** - \$89.80 per set.



MH SIZE (mm)	Max. Pipe Size for Straight Through and Right Angles	MH SIZE (mm)	Max. Pipe Size for Straight Through and Right Angles
1200		2400 x 1800	
1500		3000 x 2400	
1800		3000 x 3000	
2400		3800 x 2400	
3000		3800 x 3000	
3600		3800 x 3800	

3600mm NOTES:

Max height riser is 1.829m.
 2400mm inlet and outlet pipes can have a maximum invert difference of 75mm.
 The manhole will be built with a 450 sump for strength.

General NOTES:

1. All dimensions are for concrete pipe.
2. Knockouts for small diameter catchbasin leads (250 & 300) could be provided in addition to what is shown.
3. For additional maintenance hole configurations/combinations, please contact our engineering department.

Maintenance Hole Estimating Tables



See page 17 for important notes pertaining to the tables.

based on 150mm sump

1200 mm		
depth (m)		price
from	to	\$
0.86	1.00	\$1,636
1.01	1.15	1,754
1.16	1.30	1,872
1.31	1.46	1,989
1.47	1.61	2,107
1.62	1.76	2,224
1.77	1.91	2,342
1.92	2.07	2,456
2.08	2.22	2,574
2.23	2.32	2,692
2.33	2.47	2,442
2.48	2.62	2,559
2.63	2.78	2,677
2.79	2.93	2,793
2.94	3.08	2,910
3.09	3.23	3,028
3.24	3.39	3,145
3.40	3.54	3,262
3.55	3.69	3,380
3.70	3.84	3,497
3.85	4.00	3,614
4.01	4.15	3,732
4.16	4.30	3,849
4.31	4.45	3,966
4.46	4.61	4,082
4.62	4.76	4,202
4.77	4.91	4,318
4.92	5.06	5,877
5.07	5.22	5,991
5.23	5.37	6,109
5.38	5.52	6,227
5.53	5.67	6,344
5.68	5.82	6,462
5.83	5.98	6,581
5.99	6.13	6,694
6.14	6.28	6,812
6.29	6.44	6,930

based on 200mm sump

1500 mm		
depth (m)		price
from	to	\$
1.25	1.54	\$3,635
1.55	1.69	3,990
1.70	1.85	4,172
1.85	1.99	4,348
2.00	2.14	4,527
2.15	2.30	4,702
2.31	2.45	4,881
2.46	2.65	5,057
2.66	2.80	5,322
2.81	2.96	5,499
2.97	3.11	5,556
3.12	3.26	5,733
3.27	3.41	5,791
3.42	3.57	5,968
3.58	3.67	6,025
3.68	3.82	5,775
3.83	3.97	5,954
3.98	4.12	6,010
4.13	4.28	6,188
4.29	4.43	6,244
4.44	4.58	6,423
4.59	4.73	6,478
4.74	4.89	6,656
4.90	5.04	6,712
5.05	5.19	8,311
5.20	5.34	8,367
5.35	5.50	8,545
5.51	5.65	8,602
5.66	5.80	8,780
5.81	5.95	8,835
5.96	6.11	9,015
6.12	6.25	9,069
6.26	6.41	9,249
6.42	6.56	9,305
6.57	6.72	9,482
6.73	6.87	9,538
6.88	7.03	9,717

based on 250mm sump

1800 mm		
depth (m)		price
from	to	\$
1.82	1.97	\$5,754
1.98	2.12	6,260
2.13	2.27	6,260
2.28	2.42	6,765
2.43	2.58	6,765
2.59	2.63	7,017
2.64	2.78	7,009
2.79	2.93	7,262
2.94	3.08	7,262
3.09	3.24	7,495
3.25	3.39	7,478
3.40	3.54	7,731
3.55	3.64	7,711
3.65	3.79	7,465
3.80	3.95	7,714
3.96	4.10	7,698
4.11	4.25	7,950
4.26	4.40	7,934
4.41	4.56	8,184
4.57	4.71	8,165
4.72	4.86	8,417
4.87	5.01	8,400
5.02	5.17	9,925
5.18	5.32	9,925
5.33	5.47	10,161
5.48	5.63	10,161
5.64	5.78	10,396
5.79	5.93	10,396
5.94	6.08	10,628
6.09	6.24	10,628
6.25	6.39	10,863
6.40	6.54	10,863
6.55	6.69	11,098
6.70	6.85	11,098
6.86	7.00	11,332
7.01	7.15	11,332
7.16	7.30	11,567



Transition MHs - see note*

based on 300mm sump

2400 mm		
depth (m)		price
from	to	\$
1.46	1.75	\$10,000
1.76	2.06	10,899
2.07	2.36	11,802
2.37	2.67	12,703
2.68	2.87	13,600
2.88	3.18	14,431
3.19	3.48	14,431
3.49	3.79	14,667
3.80	4.09	14,900
4.10	4.20	15,133
4.21	4.50	14,887
4.51	4.80	15,120
4.81	5.11	16,796
5.12	5.41	17,027
5.42	5.72	17,263
5.73	6.02	17,497
6.03	6.33	17,731
6.34	6.63	17,966
6.64	6.93	18,200
6.94	7.24	18,435
7.25	7.54	18,671
7.55	7.84	18,905

based on 300mm sump

1200mm	\$ 768.70 per metre of depth + \$ 1,201.90
1500mm	\$ 1,165.00 per metre of depth + \$ 2,394.90
1800mm	\$ 1,656.60 per metre of depth + \$ 3,229.70
2400mm	\$ 2,953.40 per metre of depth + \$ 6,399.90

Non-transition MHs with flat caps of same diameter as bottom chamber

***Note regarding transitions:**

The table on page 15, and those on page 16, are based on transition to 1200mm diameter at 1.8m headroom for 1500mm and 1800mm MHs and at 2.4m headroom for 2400mm MHs. Please verify that all pipes will fit, and that there are no requirements for special flat caps before using these tables.

For non-transition MHs, use the formulas above.

1. Depth = Finished grade to lowest invert, in metres.
2. Prices are calculated based on the most common applications and will vary, depending on pipe size, material, elevation, specified sumps or headroom, height or weight restrictions, and other factors that may affect the choice of components.
3. Prices include standard precast concrete components, c/w steps, gaskets and pipe openings.
The following are NOT INCLUDED: castings, grade adjustment units, Kor-N-Seal, pre-benching, precast drop structures, safety grates, or any other accessories and special treatments. TAXES, when applicable, are EXTRA.
4. Safety landing included at 5m and greater depths.
5. Prices are subject to change without notice. TERMS AND CONDITIONS OF SALE as per inside cover.



1200mm	height (m)	no. of anchors	swift lift	approx. mass (kg)	price (\$)
Tapered Top	1.320	2	4 Tonne	1,900 / pc	\$1,054.80 / pc
Flat Cap	0.305	2	4 Tonne	720 / pc	601.00 / pc
Riser Section	0.305 - 1.829	2	4 Tonne	1,340 / m	768.70 / m
Base Slab	0.203	1	4 Tonne	770 / pc	601.00 / pc
Monolithic Bases	0.457	2	4 Tonne	1,375 / pc	1,036.40 / pc
	0.610	2	4 Tonne	1,576 / pc	1,153.20 / pc
	0.762	2	4 Tonne	1,779 / pc	1,270.00 / pc
	0.914	2	4 Tonne	1,900 / pc	1,386.80 / pc
	1.219	2	4 Tonne	2,304 / pc	1,620.50 / pc
	1.372	2	4 Tonne	2,587 / pc	1,737.30 / pc
Safety Gate					1,440.30 / pc
Pre-Benching				630 / pc	692.90 / pc

1500mm	height (m)	no. of anchors	swift lift	approx. mass (kg)	price (\$)
Flat Cap	0.430	3	4 Tonne	1,810 / pc	\$1,197.50 / pc
Riser Section	0.305 - 1.829	2	4 Tonne	1,927 / m	1,165.00 / m
Tapered Transition Section	0.610	2	4 Tonne	1,560 / pc	1,197.50 / pc
Transition Slab	0.430	2	4 Tonne	1,090 / pc	1,197.50 / pc
Base Slab	0.305	1	4 Tonne	1,770 / pc	1,197.50 / pc
Monolithic Bases	1.219	2	4 Tonne	3,707 / pc	2,971.80 / pc
	1.372	2	4 Tonne	4,149 / pc	3,148.70 / pc
	1.524	2	4 Tonne	4,451 / pc	3,326.00 / pc
	1.676	2	4 Tonne	4,753 / pc	3,503.00 / pc
Safety Gate					2,028.00 / pc
Pre-Benching				1,200 / pc	932.50 / pc

NOTES:

1. Above prices are for maintenance holes manufactured to Ontario Provincial Standards. Contact our engineering department for the price of special designs.



1800mm	height (m)	no. of anchors	swift lift	approx. mass (kg)	price (\$)
Flat Cap	0.430	3	4 Tonne	2,720 / pc	\$1,614.90 / pc
Riser Section	0.610 - 2.438	2	4 Tonne	2,695 / m	1,656.60 / m
Tapered Transition Section	0.610	2	4 Tonne	2,720 / pc	1,614.90 / pc
Transition Slab	0.430	2	4 Tonne	2,000 / pc	1,614.90 / pc
Base Slab	0.305	1	4 Tonne	2,630 / pc	1,614.90 / pc
Safety Gate					2,631. / pc

2400mm	height (m)	no. of anchors	swift lift	approx. mass (kg)	price (\$)
Flat Cap	0.430	4	4 Tonne	4,980 / pc	\$3,200.00 / pc
Riser Section	0.610 - 2.438	4	4 Tonne	4,598 / m	2,953.40 / m
Transition Slab	0.430	4	4 Tonne	4,210 / pc	3,200.00 / pc
Base Slab	0.305	4	4 Tonne	4,620 / pc	3,200.00 / pc
Safety Gate					4,114.90 / pc

3000mm	height (m)	no. of anchors	swift lift	approx. mass (kg)	price (\$)
Flat Cap	0.450	4	8 Tonne	8,142 / pc	\$5,389.00 / pc
Riser Section	0.610 - 2.438	4	8 Tonne	7,043 / m	4,620.30 / m
Transition Slab	0.450	4	8 Tonne	7,258 / pc	5,389.00 / pc
Base Slab	0.305	4	8 Tonne	8,255 / pc	5,389.00 / pc
Safety Gate					on request

3600mm	height (m)	no. of anchors	swift lift	approx. mass (kg)	price (\$)
Flat Cap	0.450	4	8 Tonne	10,500 / pc	\$9,516.30 / pc
Riser Section	0.610 - 1.829	4	8 Tonne	11,042 / m	10,069.20 / m
Transition Slab	0.450	4	8 Tonne	10,500 / pc	9,516.30 / pc
Base Slab	0.305	4	8 Tonne	10,500 / pc	9,516.30 / pc
Safety Gate					on request

NOTES:

- Above prices are for maintenance holes manufactured to Ontario Provincial Standards. Contact our engineering department for the price of special designs.

Flexible Pipe-To-Maintenance Hole Connectors



pipe diameter (mm)	PVC pipe		concrete pipe	
	Price (\$/pc)	Kor-N-Seal No.	Price (\$/pc)	Kor-N-Seal No.
100	\$211.70	S106-7T		
125	211.70	S106-8T		
150	211.70	S406-12C	\$211.70	S106-12A
200	211.70	S406-12A	211.70	S406-12
250	276.40	S106-14A	276.40	S106-16A
300	276.40	S106-16A	361.40	S106-20
375	361.40	S106-20B	434.40	S206-24
450	434.40	S206-24A	549.60	S206-26L
525	549.60	S206-26	648.80	S206-32
600	614.90	S206-28	769.20	S206-34L

catch basins / ditch inlets

size (mm)	description	height (m)	approx. mass (kg)	price (\$)
600 x 600	Catch Basin - 115mm wall	0.762 - 1.981	940 / m	\$503.40 / m
600 x 600	Catch Basin - 150mm wall	0.914 - 1.981	1,220 / m	680.50 / m
600 x 600	Ditch Inlet Catch Basin - 150 mm wall	0.914 - 1.981	1,220 / m	752.00 / m
600 x 1200	Ditch Inlet Catch Basin - 150 mm wall	0.457 - 1.219	1,785 / m	1,167.40 / m
600 x 840	Curb Inlet Catch Basin - 115 mm wall	1.067 - 1.981	1,060 / m	796.40 / m
600 x 1450	Twin Inlet Catch Basin - 115 mm wall	0.914 - 1.829	1,640 / m	976.90 / m

NOTES:

1. **Catch Basin Risers** are available at the price per metre of applicable Catch Basin item
2. All Catch Basin and Ditch Inlet units have **2 Anchors** and require **4 Tonne Swift Lift**
3. Price of Ditch Inlet includes 1 pair of **Ditch Inlet Fasteners** installed
4. Clarington Sub drain adaptor \$23.40/each
5. Any additional modifications made to CB's please contact our engineering department for pricing



description	thickness (mm)	approx. mass (kg)	price (\$)
Maintenance Hole Adjuster	50	52	\$46.60 / pc
Maintenance Hole Adjuster	75	75	49.40 / pc
Maintenance Hole Adjuster c/w Step	75	75	72.60 / pc
Maintenance Hole Adjuster	150	215	171.20 / pc
Maintenance Hole Grade Ring c/w Step	305	430	219.20 / pc
Catch Basin Adjuster	50	36	44.20 / pc
Catch Basin Adjuster	75	51	46.80 / pc
Catch Basin Adjuster	150	141	113.30 / pc
Modutape (40 Rolls per Case)			16.50 / roll

miscellaneous accessories

description	type	price (\$)
Maintenance Hole Frames and Covers		\$671.60 / pc
Catch Basin Frames and Grates	Flat, Dished or V-type	695.20 / pc
Ditch Inlet Grates	Type A	599.10 / pc
	Type B	881.70 / pc
	Type C	968.10 / pc
Swift Lift Lifting Eyes	4 Tonne	416.10 / pc
	8 Tonne	783.10 / pc
Shims	70 Pieces per Bag	114.60 / bag
Maintenance Hole Safety Steps	Hollow Aluminum	27.30 / pc
Maintenance Hole Safety Steps	Solid Aluminum	39.30 / pc
Engineering Surcharge		679.60 / ea
Non-standard Openings		679.60 / ea
Hatch Installation		679.60 / ea
Goss Trap c/w Plug		702.80 / pc

Rectangular Maintenance Holes and Utility Chambers



Butyl tape, hydrophilic gasket and waterproofing membranes are extra where required. Rectangular maintenance holes are based on 4.0m depth. For depths greater please contact our engineering department.

1200 x 1200mm	height (m)	no. of anchors	swift lift	approx. mass (kg)	price (\$)
Flat Cap	0.229	4	4 Tonne	1,706 / pc	\$1,349.60 / pc
Riser Section	0.610 - 2.134	4	4 Tonne	3,249 / m	2,278.60 / m
Transition Slab	0.305	4	4 Tonne	1,706 / pc	1,349.60 / pc
Base Slab	0.229	4	4 Tonne	1,706 / pc	1,349.60 / pc
*Monobase/Monotop	0.610	4	4 Tonne	3,560 / pc	2,682.30 / pc
	0.914	4	4 Tonne	4,548 / pc	3,374.90 / pc
	1.219	4	4 Tonne	5,539 / pc	4,070.00 / pc
	1.524	4	4 Tonne	6,530 / pc	4,765.00 / pc
	1.829	4	4 Tonne	7,521 / pc	5,460.00 / pc

1800 x 1500mm	height (m)	no. of anchors	swift lift	approx. mass (kg)	price (\$)
Flat Cap	0.229	4	4 Tonne	2,750 / pc	\$2,050.70 / pc
Riser Section	0.610 - 2.134	4	4 Tonne	4,277 / m	2,822.00 / m
Transition Slab	0.305	4	4 Tonne	2,750 / pc	2,050.70 / pc
Base Slab	0.229	4	4 Tonne	2,750 / pc	2,050.70 / pc
*Monobase/Monotop	0.610	4	4 Tonne	5,152 / pc	3,701.50 / pc
	0.914	4	4 Tonne	6,452 / pc	4,559.30 / pc
	1.219	4	4 Tonne	7,756 / pc	5,420.00 / pc
	1.524	4	4 Tonne	9,060 / pc	6,280.80 / pc
	1.829	4	4 Tonne	10,365 / pc	7,141.50 / pc

Rectangular Maintenance Holes and Utility Chambers

Butyl tape, hydrophilic gasket and waterproofing membranes are extra where required. Rectangular maintenance holes are based on 4.0m depth. For depths greater please contact our engineering department.



2400 x 1800mm	height (m)	no. of anchors	swift lift	approx. mass (kg)	price (\$)
Flat Cap	0.362	4	4 Tonne	4,075 / pc	\$2,854.10 / pc
Riser Section	0.610 - 2.500	4	4 Tonne	4,762 / m	3,252.60 / m
Transition Slab	0.362	4	4 Tonne	3,519 / pc	2,864.10 / pc
Base Slab	0.254	4	4 Tonne	3,796 / pc	2,864.10 / pc

2400 x 2400mm	height (m)	no. of anchors	swift lift	approx. mass (kg)	price (\$)
Flat Cap	0.254	4	8 Tonne	5,219 / pc	\$4,172.10 / pc
Riser Section	0.610 - 2.134	4	8 Tonne	5,985 / m	5,369.70 / m
Transition Slab	0.305	4	8 Tonne	5,219 / pc	4,172.10 / pc
Base Slab	0.254	4	8 Tonne	5,219 / pc	4,172.10 / pc
*Monobase/Monotop	0.610	4	8 Tonne	8,870 / pc	7,152.30 / pc
	0.914	4	8 Tonne	10,690 / pc	8,784.50 / pc
	1.219	4	8 Tonne	12,515 / pc	10,422.40 / pc
	1.524	4	8 Tonne	14,341 / pc	12,060.20 / pc
	1.829	4	8 Tonne	16,166 / pc	13,698.00 / pc

*Height is measured from top of base to bottom of joint.

Rectangular Maintenance Holes and Utility Chambers



Butyl tape, hydrophilic gasket and waterproofing membranes are extra where required. Rectangular maintenance holes are based on 4.0m depth. For depths greater please contact our engineering department.

3000 x 2400mm	height (m)	no. of anchors	swift lift	approx. mass (kg)	price (\$)
Flat Cap	0.362	4	8 Tonne	6,555 / pc	\$5,052.60 / pc
Riser Section	0.610 - 2.500	4	8 Tonne	7,633 / m	5,224.90 / m
Transition Slab	0.362	4	8 Tonne	5,997 / pc	5,052.60 / pc
Base Slab	0.254	4	8 Tonne	6,010 / pc	5,052.60 / pc

3000 x 3000mm	height (m)	no. of anchors	swift lift	approx. mass (kg)	price (\$)
Flat Cap	0.305	4	8 Tonne	9,185 / pc	\$6,882.10 / pc
Riser Section	0.610 - 2.134	4	8 Tonne	7,354 / m	8,103.70 / m
Transition Slab	0.305	4	8 Tonne	9,185 / pc	6,882.10 / pc
Base Slab	0.305	4	8 Tonne	9,185 / pc	6,882.10 / pc
*Monobase/Monotop	0.610	4	8 Tonne	13,671 / pc	11,379.50 / pc
	0.914	4	8 Tonne	15,907 / pc	13,842.90 / pc
	1.219	4	8 Tonne	18,150 / pc	16,314.60 / pc
	1.524	4	8 Tonne	20,393 / pc	18,786.10 / pc
	1.829	4	8 Tonne	22,636 / pc	21,257.80 / pc

3800 x 2400mm	height (m)	no. of anchors	swift lift	approx. mass (kg)	price (\$)
Flat Cap	0.305	4	8 Tonne	9,236 / pc	\$7,060.90 / pc
Riser Section	0.610 - 2.134	4	8 Tonne	7,525 / m	8,453.00 / m
Transition Slab	0.305	4	8 Tonne	9,236 / pc	7,060.90 / pc
Base Slab	0.305	4	8 Tonne	9,236 / pc	7,060.90 / pc
*Monobase/Monotop	0.610	4	8 Tonne	13,826 / pc	11,752.20 / pc
	0.914	4	8 Tonne	16,114 / pc	14,322.00 / pc
	1.219	4	8 Tonne	18,409 / pc	16,900.20 / pc
	1.524	4	8 Tonne	20,704 / pc	19,478.20 / pc
	1.829	4	8 Tonne	22,999 / pc	22,056.40 / pc



Butyl tape, hydrophilic gasket and waterproofing membranes are extra where required. Rectangular maintenance holes are based on 4.0m depth. For depths greater please contact our engineering department.

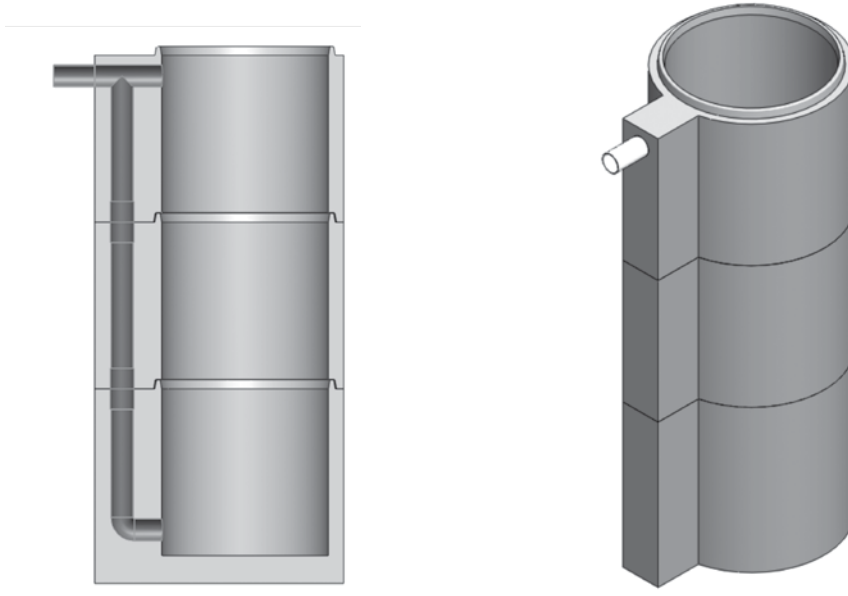
3800 x 3000mm	height (m)	no. of anchors	swift lift	approx. mass (kg)	price (\$)
Flat Cap	0.305	4	8 Tonne	11,182 / pc	\$8,943.20 / pc
Riser Section	0.610 - 2.134	4	8 Tonne	8,209 / m	10,892.10 / m
Transition Slab	0.305	4	8 Tonne	11,182 / pc	8,943.20 / pc
Base Slab	0.305	4	8 Tonne	11,182 / pc	8,943.20 / pc
*Monobase/Monotop	0.610	4	8 Tonne	16,189 / pc	14,988.20 / pc
	0.914	4	8 Tonne	18,685 / pc	18,299.30 / pc
	1.219	4	8 Tonne	21,189 / pc	21,621.30 / pc
	1.524	4	8 Tonne	23,693 / pc	24,943.40 / pc

3800 x 3800mm	height (m)	no. of anchors	swift lift	approx. mass (kg)	price (\$)
Flat Cap	0.305	4	8 Tonne	13,612 / pc	\$11,419.50 / pc
Riser Section	0.610 - 2.134	4	8 Tonne	9,064 / m	14,050.90 / m
Transition Slab	0.305	4	8 Tonne	13,612 / pc	11,419.50 / pc
Base Slab	0.305	4	8 Tonne	13,612 / pc	11,419.50 / pc
*Monobase/Monotop	0.610	4	8 Tonne	19,141 / pc	19,217.70 / pc
	0.914	4	8 Tonne	21,897 / pc	23,489.10 / pc
	1.219	4	8 Tonne	24,661 / pc	27,774.70 / pc

*Height is measured from top of base to bottom of joint.



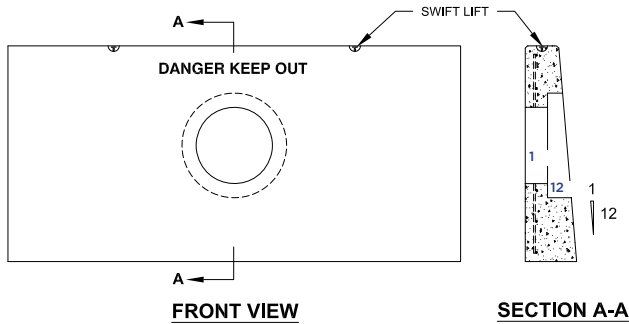
Precast Drop Structures are available for drop pipe sizes up to and including 300mm diameter.
All Drop Structures are supplied with a 90 degree Bend at the bottom.
At the top, we provide a Tee (up to 300 x 300mm) or a Wye (up to 250 x 250mm).
For pricing, please contact our engineering department.





OPSD 804.030 alternative headwall for 300mm-900 mm pipes

pipe size (mm)	width x height (mm)	no. of anchors	swift lift	approx. mass (kg)	endwall only (\$)	grate only (\$)
300	3366 x 1672	2	8 Tonne	5,090	\$3,212.10	\$789.50
375	3366 x 1672	2	8 Tonne	5,043	3,212.10	789.50
450	3366 x 1672	2	8 Tonne	4,964	3,904.10	868.80
525	4168 x 1939	2	8 Tonne	7,342	3,904.10	868.80
600	4168 x 1939	2	8 Tonne	7,277	4,985.50	933.00
675	4168 x 1939	2	8 Tonne	7,174	4,985.50	933.00
750	4968 x 2206	2	8 Tonne	10,124	6,088.80	1,105.70
825	4968 x 2206	2	8 Tonne	9,985	6,088.80	1,105.70
900	4968 x 2206	2	8 Tonne	9,834	7,202.40	1,128.40

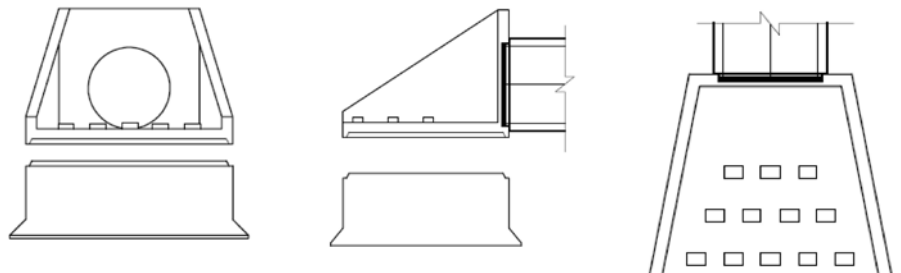


quick headwalls

QHW size	circular pipe size (mm)	elliptical pipe size (mm)	QHW top piece		QHW bottom piece	
			Swift Lift	weight (kg)	Swift Lift	weight (kg)
small	600 to 825	N/A	4- 4 tonne	8,296	4- 4 tonne	9,414
medium	900 to 1200	730X1150	4- 8 tonne	10,163	4- 8 tonne	9,914
large	1350 to 1800	855X1345	4- 8 tonne	13,860	4- 8 tonne	11,077
		975X1535				
		1095X1730				
		1220X1920				

NOTES:

1. Grates as per OPSD 804.05.
2. Headwalls equivalent to OPSD 804.040. Modified are available for pipe sizes up to **1800mm Diameter or 1220x1930mm Elliptical Pipe**. For pricing, contact our engineering department.
3. **Random Stone Pattern Finish** can be supplied, if specified or requested.
4. Quick Installation comes complete with a gasketed joint for pipe connection.
5. 2-Piece System.
6. Hand Rail & Headwall Grates are available for pipe sizes up to 1800mm Diameter.
7. Designed to CHBDC requirements.





Stormceptor®

Stormceptor® Product Line

Stormceptor® units are designed to capture and safely store non-point source pollution from stormwater run-off. They are also extremely effective in capturing spills.



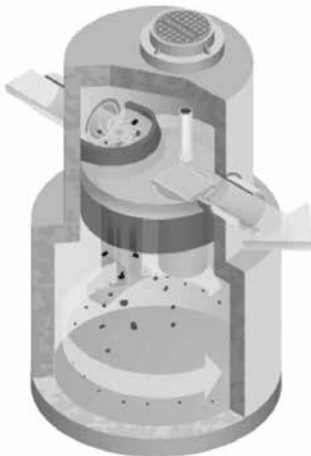
STC Series

Designed to attain a high level of stormwater quality and spills capture



EOS Series

Extended Oil Storage capabilities for "high" potential spills areas and a high level of stormwater quality



OSR Series

Our most efficient model to date



Jelly Fish

Fine sediment filter system

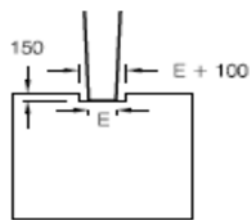
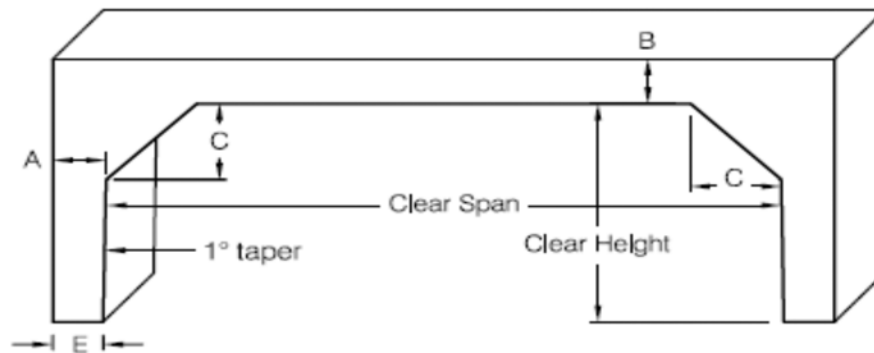
Please contact our sales or engineering departments for pricing and/or technical information.



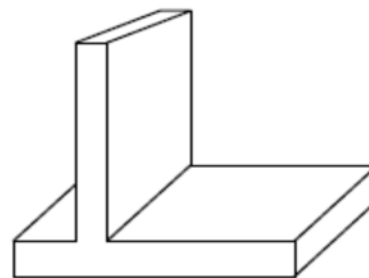
QuickSpan® sizing information	
Clear Span	3.659 - 12.192
Clear Height	0.610 - 3.048
Laying Length	1.00 - 2.440
Weight	4,643 - 22,000 kg/m
A - Leg Thickness	min 254
B - Deck Thickness	min 254
C - Haunch	432

NOTE:

1. QuickSpan supercedes Hy-span
2. Precast footings & wingwalls are available. Please contact our Engineering Department for pricing or technical information.
3. Please contact our Engineering Department for further sizing information.



Footing Detail



Wing Wall Detail



maintenance hole adjusters

size (mm)	description	height (mm)	approx mass (kg)	price (\$)
710 x 159	Maintenance Hole Adjuster	50	48	\$46.60
710 x 159	Maintenance Hole Adjuster	75	72	49.40
710 x 159	Maintenance Hole Adjuster	100	95	52.90
710 x 159	Maintenance Hole Adjuster	150	142	57.80
710 x 159	Maintenance Hole Adjuster c/w Step	300	284	219.20

valve chamber components

size (mm)	description	height (mm)	approx mass (kg)	price (\$)
	Valve Chamber Base Section (2 pcs)	200	580	\$392.80
	Valve Chamber Base Section (2 pcs)	400	1,160	785.30
1500	Valve Chamber Gate Valve Flat Cap	450	1,796	1,197.50
1500	Valve Chamber Gate Butterfly Flat Cap	450	1,796	1,197.50
760	Valve Chamber Adjuster	50	33	46.60
760	Valve Chamber Adjuster	75	50	49.40
760	Valve Chamber Adjuster	100	67	52.90
760	Valve Chamber Adjuster	150	100	57.80
760	Valve Chamber Riser (Bell-Flat)	150	100	165.10
760	Valve Chamber Riser (Bell-Flat)	305	195	209.10
760	Valve Chamber Riser (Bell-Flat)	450	295	313.20
760	Valve Chamber Riser (Bell-Spigot)	150	100	102.80
760	Valve Chamber Riser (Bell-Spigot)	225	150	154.50
760	Valve Chamber Riser (Bell-Spigot)	300	195	205.70
760	Valve Chamber Riser (Bell-Spigot)	450	295	308.40
760	Valve Chamber Riser (Bell-Spigot)	600	390	411.20

Note: City of Ottawa rectangular valve chambers are available.
Please call for pricing details.



catch basin adjusters

size (mm)	description	height (mm)	approx mass (kg)	price (\$)
330 x 480	Rear Yard Catch Basin Adjuster	50	16	\$43.50
330 x 480	Rear Yard Catch Basin Adjuster	75	24	44.50
330 x 480	Rear Yard Catch Basin Adjuster	150	48	55.80
610 x 610	Heavy Duty Catch Basin Adjuster	50	35	44.20
610 x 610	Heavy Duty Catch Basin Adjuster	75	53	46.80
610 x 610	Heavy Duty Catch Basin Adjuster	100	70	51.90
610 x 610	Heavy Duty Catch Basin Adjuster	150	105	57.80



frames and covers

spec no.	description	price (\$)
W15 / W16	City of Ottawa - Valve Chamber Frame and Cover	\$614.40
S19	City of Ottawa - Heavy Duty "Fish" Type Round Frame and Cover	457.80
S19.1	City of Ottawa - "Fish" Type Square Frame and Grate	457.80
S20 / S21	City of Ottawa - Catch Basin Frame and Cover (Replacement)	313.20
S22 / S23	City of Ottawa - Curb Inlet "Fish" Type for Catch Basin	662.60
S24/ S25	City of Ottawa - Sanitary "Toilet" Maintenance Hole Frame and Cover	601.10
S24.1 / S25	City of Ottawa - Frame and Cover - Fish Logo	601.10
S24.2 / S25	City of Ottawa - Frame and Lockable Cover	1,409.40
S28	City of Ottawa - Curb Inlet "Fish" Type for CBMH	1,144.30
S28.1	City of Ottawa - Catch Basin Maintenance Hole Frame and Cover	597.20
400.010	OPSD - Dished Herring Bone Openings Frame and Cover	451.70
400.020	OPSD - Flat Herring Bone Openings Frame and Cover	451.70
400.030	OPSD - "V" Herring Bone Openings Frame and Cover	716.80
400.070	OPSD - Circular Flat Herring Bone Openings Frame and Cover	622.90
400.082	OPSD - Raised Curb Inlet Catch Basin Frame and Cover	611.30
400.100	OPSD - Flat Perforated Frame and Cover	688.00
401.010A	OPSD - Frame and Cover - Closed	430.10
401.010B	OPSD - Frame and Cover - Open	430.10
401.020	OPSD - Frame and Cover	716.80
401.030	OPSD - Water Tight Frame and Cover	872.10
401.050	OPSD - Water Tight Raised Square Maintenance Hole Frame and Cover	902.90
402.010	OPSD - Valve Chamber Frame and Cover	677.00
	Self Levelling - Valve Chamber - Frame & Cover	1,301.10
	Self Levelling - Sanitary - Frame & Cover	1,295.10
	Self Levelling - Storm - Frame & Cover	1,295.10

forterrabp.com

Forterra Building Products

Forterra is a leading manufacturer of water and drainage pipe & products for a variety of water-related infrastructure applications. Based in Irving, Texas, Forterra is comprised of Drainage Pipe & Products, Water Pipe & Products, Structural & Specialty Products and Stormwater Management Systems. We employ more than 5,500 people and operate more than 100 facilities, with products available throughout the U.S. and Eastern Canada.

For current facility locations and Sales & Service contacts, please visit our website at forterrabp.com



2099 Roseville Road
Cambridge, Ontario N1R 5S3
519.622.7574
888.888.3222

3374 Rideau Road
Ottawa, Ontario K1G 3N4
613.822.0160
800.833.7540